
NI Market Message Implementation Guide – Meter Registration

<i>Document Information</i>	
Business Area:	NIE Networks
Status:	Baseline
Author/s:	
Version Number:	3.1

NI - Market Message Implementation Guide – Meter Registration

<i>Document Updates</i>			
Name	Date	Reason	Version
NIE ES Project	04/11/09	Initial Draft	0.3
P Merkens	16/03/11	Amended for agreed MCRs 1004, 1024, 1028, 1031, 1032, 1041 and 1044 Amended for proposed DR	0.91
P Merkens		Updated following SIG Workshops and for MCR 1052, 1053, 1054, 1057, 1058, 1068, 1077 and CRID 142	0.92
P Merkens		Updated for MCR 1079	0.93
J-E Smith		Final Draft for Supplier Review prior to SIG Approval	0.94
A Ferguson		Updated for partial withdrawal of MCR 1053 and approval of MCR 1090	0.95
A Ferguson	25/08/11	Baseline SIG Approval	2.1
A Ferguson	20/01/12	Baseline CDA Board Approved Updated for DR1110/CRID163 Updated for DR1100/CRID159 Updated for MCR1107	2.2
J-E Smith	08/03/12	Baseline CDA Board Approved Updated for DR1116/CRID166 Updated for MCR1115 Updated for DR1113/CRID165	2.3

NI - Market Message Implementation Guide – Meter Registration

J-E Smith	06/06/12	Baseline CDA Board Approved Updated for DR1118_CRID167	2.3.1
J-E Smith	21/11/13	Baseline CDA Board Approved	2.4
NIE Networks	31/08/16	Updated to incorporate change of name from NIE to NIE Networks and align Baseline numbering with NI Retail Market Procedures and Guides	3.0
NIE Networks	07/03/18	Updated for DR 1183 – 010 Customer Agreement Validation (Non-Schema Interim Solution)	3.1

NI - Market Message Implementation Guide – Meter Registration

Table of Contents

1	INTRODUCTION	6
1.1	PURPOSE OF THE MESSAGE IMPLEMENTATION GUIDE	6
1.2	VALIDATION.....	7
1.3	MESSAGE VERSION	7
1.4	NOTES	7
1.5	IMPLEMENTATION OF MARKET CHANGE REQUESTS	8
1.6	OUTSTANDING ISSUES.....	9
2	REGISTRATION MESSAGE GROUP.....	10
2.1	SCOPE AND BUSINESS CONTEXT.....	10
2.2	MESSAGE USAGE SUMMARY	10
2.3	RELATED BUSINESS DOCUMENTS.....	12
2.4	MESSAGE DIRECTORY – SUPPLIER TO NIE NETWORKS	13
2.4.1	<i>Message 010: Registration Request.....</i>	<i>13</i>
2.4.2	<i>Message 011: Cancel Registration Request</i>	<i>28</i>
2.4.3	<i>Message 011A: Cancel Change of Supplier Agreement.....</i>	<i>32</i>
2.4.4	<i>Message 012: Notification of Objection.....</i>	<i>35</i>
2.4.5	<i>Message 012W: Withdrawal of Objection.....</i>	<i>39</i>
2.4.6	<i>Message 021: De-Registration Request.....</i>	<i>42</i>
2.5	MESSAGE DIRECTORY – NIE NETWORKS TO SUPPLIER	43
2.5.1	<i>Message 101: New Connection – Registration Acceptance</i>	<i>43</i>
2.5.2	<i>Message 101P: New Connection – Provisional Acceptance.....</i>	<i>49</i>
2.5.3	<i>Message 101R: New Registration Rejection.....</i>	<i>54</i>
2.5.4	<i>Message 102: Change of Supplier Registration Acceptance.....</i>	<i>57</i>
2.5.5	<i>Message 102P: Change of Supplier Registration Provisional Acceptance.....</i>	<i>63</i>
2.5.6	<i>Message 102R: Change of Supplier – Registration Rejection.....</i>	<i>69</i>
2.5.7	<i>Message 105: Change of Supplier Confirmation (New Supplier).....</i>	<i>73</i>
2.5.8	<i>Message 105L Change of Supplier Confirmation (Old Supplier)</i>	<i>78</i>
2.5.9	<i>Message 110: Notification to Old Supplier of a Change of Supplier</i>	<i>80</i>
2.5.10	<i>Message 111: Registration Cancellation (New Supplier)</i>	<i>83</i>
2.5.11	<i>Message 111L: Registration Cancellation – Cancellation of Customer Loss (Old Supplier).....</i>	<i>86</i>
2.5.12	<i>Message 111A: Registration Cancellation Notification</i>	<i>89</i>
2.5.13	<i>Message 111R: Cancellation Request Rejection</i>	<i>91</i>
2.5.14	<i>Message 112: Notification of Objection.....</i>	<i>94</i>
2.5.15	<i>Message 112R: Notification of Objection - Rejection</i>	<i>96</i>

NI - Market Message Implementation Guide – Meter Registration

2.5.16	<i>Message 112W: Withdrawal of Objection</i>	98
2.5.17	<i>Message 122: De-Registration Confirmation</i>	100
2.5.18	<i>Message 122R: De-registration Rejection</i>	102
2.5.19	<i>Message 310: Validated Change of Supplier Reading</i>	103
2.5.20	<i>Message 310W: Withdrawn Change of Supplier Reading</i>	107
2.5.21	<i>Message 320: Validated Change of Supplier Reading</i>	112
2.5.22	<i>Message 320W: Withdrawn Change of Supplier Reading</i>	117
3	APPENDIX 1	122
3.1	APPENDIX 1A – MESSAGE 310 AND 320 COMBINATIONS	122

NI - Market Message Implementation Guide – Meter Registration

1 INTRODUCTION

1.1 Purpose of the Message Implementation Guide

This document is a Message Implementation Guide to assist Suppliers in:

- The construction of market messages to be sent to NIE Networks; and
- The interpretation of messages received from NIE Networks.

The Message Implementation Guides are organised into separate **Message Groups** documents based around key business processes. These are:

- Meter Registration, including Change of Supplier
- Customer Data and Agreements
- Data Processing
- Data Aggregation
- DUoS and Transaction Payments
- Meter Works
- Unmetered
- Market Gateway Activity

This document is the **Meter Registration Message Group** Implementation Guide.

Each Message Group section contains:

- An introduction outlining the scope and business context for the message group
- A Message Usage Summary with a description of when each message is used
- A list of Related Business Documents that govern the process
- A message directory with a section for each separate message which includes:
 - A description of each message and when it should be used
 - An overview diagram of the structure of the message.
 - For messages sent by Suppliers:
 - A table containing composition instructions on how to populate each segment and field
 - A table describing how the message will be validated
 - A description of the responses that can be expected
 - For messages sent by NIE Networks:
 - A table containing a description of how each segment and field will be populated.

NI - Market Message Implementation Guide – Meter Registration

The same type of data is often provided in several messages and, irrespective of the message type, this data is subject to common rules for population. An example is the Meter Point Address.

A separate document exists to describe the population rules for these types of data, providing:

- An overview of the structure of the segment
- Instructions relating to how to populate each segment and field.

1.2 Validation

The document provides notes on how NIE Networks will validate the messages received. The purpose of these notes is to aid the Supplier in the population of each message and is intended to avoid instances where messages are rejected due to the incorrect population of a message field. The validation described is therefore limited to field specific validations.

Syntax validation is excluded from the validation notes. This is performed by using standard XML Schema validation against the XML schema provided that defines the data structures of all market messages in scope. Syntax validation includes:

- Checks that the structure of the message is correct
- Checks that all mandatory fields are provided. Mandatory fields are, however, indicated in the instructions for populations.
- Checks that any data code is selected from the list of allowable data codes.

In cases where the segment on a message fails on any of these reasons, a negative acknowledgement is sent back as a market message to the message sender containing the following information:

- The Transaction Reference Number supplied on the inbound message
- A copy of the message contents as received by NIE Networks
- A description of the error.

General market process validations that are not specific to individual market message fields are excluded.

1.3 Message Version

This Message Guide refers to and is consistent with the Market Messages and Data Codes.

1.4 Notes

This document refers to segment and field levels which should be interpreted as follows:

- The level number indicated against the segment refers to the level of the data items and segments within that segment. Therefore, for example, in message 010 where ‘MPRN Level Information –Level 2’ is stated it is the data items and segments that comprise ‘MPRN Level

NI - Market Message Implementation Guide – Meter Registration

Information' that are level two items (e.g. MPRN field, Market Participant Business Reference field, Meter Point Address segment).

Accordingly, within this document, MPRN Level Information segment is show as a Level 1 segment.

- Message Header is a Level 1 segment is a child of Header Level Information.

1.5 Implementation of Market Change Requests

MCR 1004 MCC on New Connection Registration

MCR 1024 Global Aggregation

MCR 1028 Multiple CSSN Codes

MCR 1031 CoS Registration for Keypad

MCR 1032 Introduce Prepayment Type

MCR 1041 Registration Cancellation Timescale

MCR 1044 Remove Cooling Off Period outside Registration Timeline

MCR 1052 Removal of old keypad premises number from messages 105L and 110

MCR 1053 Introduction of cancellation reason 'FC' in messages 111 and 111L

MCR 1054 Removal of supplier certification validation within message 010

MCR 1057 Removal of usage type from message 010 and the associated validations and responses

MCR 1058 Introduction of meter work type within message 010 and associated validation responses

MCR 1058 Introduction of access instructions within message 010

MCR 1068 New MESN Code – Patient Vital Signs Monitoring

MCR 1077 Sundry Changes including New Reject Reasons

MCR 1079 Harmonisation Baseline Core Elements - Data Codes

CRID 142 Removal of fieldwork notice period validation within message 010

MCR 1053 partial withdrawal - cancellation reason "FC" removed

MCR 1090 Updated codes for 300 series market messages

DR1110/CRID163 Updates to ES NI Market Message Implementation Guides and Retail Market Procedures

- DR1100/CRID159 CoS 210 Market Messages
- MCR 1107 New Connection Card Required code on 102P
- Correction to MM310W Read Status Code
- Correction to "premises" for keypad from "premise"

DR1116/CRID166 – Updates to Enduring Solution NI Market Documentation

DR1118_CRID167 – Updates to Enduring Solution NI Market Documentation

DR 1183 – 010 Customer Agreement Validation (Non-Schema Interim Solution)

NI - Market Message Implementation Guide – Meter Registration

1.6 Outstanding Issues

None

NI - Market Message Implementation Guide – Meter Registration

2 REGISTRATION MESSAGE GROUP

2.1 Scope and Business Context

The purpose of the Registration Messages is to enable a Supplier to register a Meter Point upon conclusion of an agreement to supply and to receive relevant data regarding that Meter Point.

Registration Messages are used in the following business contexts:

- The Registration of a New Connection; where message 010 is sent by a Supplier and messages 101R, 101P and 101 may be received. In addition messages 331 in order to communicate Interval meter details and 332 may be received in order to communicate Non-Interval meter details and opening readings. These messages are described in the Meter Works document.
- A Change of Supplier; where message 010 is sent by a Supplier and messages 102R, 102P, 102, 105, 105L, 110, 140, 310, 320 and 331 may be received. In addition there are three additional messages that a Supplier may use to provide and dispute Change of Supplier meter readings. These messages are 208, 210 and 252 and are described in the section on Data Processing as is the Customer Read rejection message 303R. Change of Supplier reading withdrawal messages 310W and 320W are described here.
- The Cancellation of a Change of Supplier; where messages 011 and 011A may be sent and 111A and 111 received.
- An Objection for Debt, Contract Default or Erroneous Transfer; where messages 012 and 012W may be sent and 112, 112R, 112W and 111 received.

The purpose of the De-Registration Messages is for de-registration of a Meter Point where there is no longer a customer or premise to be supplied. Message 122 is the only message sent by NIE Networks to the registered supplier for the de-registration process.

2.2 Message Usage Summary

The following table provides a trigger list for each message described in this section detailing when it is used.

Message	Title	Sender	Recipient	Trigger	Predecessor
010	Registration Request	Supplier	NIE Networks	Supplier decides to register Meter Point	none
011	Cancel Registration Request	Supplier	NIE Networks	Supplier decides to cancel registration	none
011A	Cancel Change of Supplier Agreement	Supplier	NIE Networks	Old Supplier responds to cancellation request with their agreement/disagreement	111A
012	Objection to Change of Supplier	Old Supplier	NIE Networks	Old Supplier decides to object to Change of Supplier	none
012W	Withdrawal of Objection	Old Supplier	NIE Networks	Old Supplier decides to withdraw an objection to an erroneous transfer	none
021	De-Registration Request			Not used by NIE Networks	

NI - Market Message Implementation Guide – Meter Registration

Message	Title	Sender	Recipient	Trigger	Predecessor
101	New Connection Registration Acceptance	NIE Networks	New Supplier	NIE Networks accepts a valid registration for a newly connected Meter Point (after energisation)	010
101P	New Connection Registration Provisional Acceptance	NIE Networks	New Supplier	NIE Networks accepts a valid registration for a newly connected Meter Point but with conditions	010
101R	New Connection Registration Rejection	NIE Networks	New Supplier	NIE Networks receives an invalid registration for a newly connected Meter Point	010
102	Change of Supplier Registration Acceptance	NIE Networks	New Supplier	NIE Networks accepts a valid registration for a Change of Supplier	010
102P	Change of Supplier Registration Provisional Acceptance	NIE Networks	New Supplier	NIE Networks accepts a valid registration for a Change of Supplier but with conditions	010
102R	Change of Supplier Registration Rejection	NIE Networks	New Supplier	NIE Networks receives an invalid registration for a Change of Supplier	010
105	Change of Supplier Confirmation	NIE Networks	New Supplier	All conditions are satisfied for an accepted Change of Supplier registration request	010 from New Supplier
105L	Change of Supplier Confirmation	NIE Networks	Old Supplier	All conditions are satisfied for an accepted Change of Supplier registration request	010 from New Supplier
110	Notification to Old Supplier of Change of Supplier	NIE Networks	Old Supplier	NIE Networks accepts or provisionally accepts a registration request (010) from a New Supplier	010 from New Supplier
111	Registration Cancellation (New Supplier)	NIE Networks	New Supplier	All conditions are satisfied for cancellation of a registration	011 or 011A or 012 for Debt or Contract Default
111L	Registration Cancellation (Old Supplier)	NIE Networks	Old Supplier	All conditions are satisfied for cancellation of a registration	011 or 011A
111A	Change of Supplier Cancellation Notification	NIE Networks	Old Supplier	NIE Networks receives a valid cancellation request (011) for a completed Change of Supplier	011 from New Supplier
111R	Change of Supplier Cancellation Rejection	NIE Networks	New Supplier	NIE Networks receives an invalid Change of Supplier cancellation request	011
112	Notification of Objection	NIE Networks	New Supplier	NIE Networks receives a valid notification of objection (012) to a Change of Supplier	012 from Old Supplier
112R	Notification of Objection Rejection	NIE Networks	Old Supplier	NIE Networks receives an invalid notification of objection to a Change of Supplier	012
112W	Withdrawal of Objection	NIE Networks	New Supplier	NIE Networks receives a withdrawal of an objection (012W) to a Change of Supplier	012W from Old Supplier
122	De-Registration Confirmation	NIE Networks	Supplier	NIE Networks agrees a de-registration/de-commission of a site with the customer	Customer request
122R	De-Registration Rejection			Not used by NIE Networks	
310	Validated Change of Supplier Reading	NIE Networks	Old Supplier	All conditions are satisfied for an accepted Non-	010 from New

NI - Market Message Implementation Guide – Meter Registration

Message	Title	Sender	Recipient	Trigger	Predecessor
				Interval metered Change of Supplier	Supplier
310W	Withdrawn Change of Supplier Reading	NIE Networks	Old Supplier	A Change of Supplier reading is withdrawn	310
320	Validated Change of Supplier Reading	NIE Networks	New Supplier	All conditions are satisfied for an accepted Non-Interval metered Change of Supplier	010 from New Supplier
320W	Withdrawn Change of Supplier Reading	NIE Networks	New Supplier	A Change of Supplier reading is withdrawn	320

The following table provides a trigger list for each message described in other Market Message Guides detailing when it is used during changes to Meter Point registrations.

Message	Title	Sender	Recipient	Trigger	Predecessor
208	Replacement Reading	Supplier	NIE Networks	Supplier decides to dispute a Change of Supplier reading by providing a replacement	310 or 320
210	Supplier Provided Reading	Supplier	NIE Networks	Supplier has elected to provide a customer reading for a Change of Supplier	010 from New Supplier
252	Request for Special Reading	Supplier	NIE Networks	Supplier decides to dispute a Change of Supplier reading by requesting a Special Reading or Estimate	310 or 320
303R	Customer Read Rejection	NIE Networks	Supplier	NIE Networks rejects a Customer Read	010, 016 or 210
331	Profile Meter Technical Details	NIE Networks	Supplier	Meter details are available for a completed Interval metered registration	010
332	Non-Interval Meter Technical Details	NIE Networks	Supplier	Meter details and opening reads are available for an energised new Non-Interval metered connection	010

2.3 Related Business Documents

None

NI - Market Message Implementation Guide – Meter Registration

2.4 [Message Directory – Supplier to NIE Networks](#)

2.4.1 Message 010: Registration Request

Purpose and Description of Message

Message 010 is sent by a Supplier to NIE Networks in order to request registration to a Meter Point.

It contains the information that is required by NIE Networks to process and validate the registration. In addition it may also be used to provide additional information such as:

- Customer information that can be used by NIE Networks to fulfil their responsibilities
- Readings data in the case of a Non-Interval Metered Change of Supplier

Message 010 is used in the following Market Processes:

Process Number and Title	Use of Message
MP NI 1 Change of Supplier – Non-Interval Metered	To register a metered Non-Interval Meter Point currently registered to another Supplier
MP NI 2 Change of Supplier –Interval Metered	To register an Interval Meter Point currently registered to another Supplier
MP NI 5 New Non-Interval Metered Connection	To register a metered Non-Interval Meter Point as part of the new connection process
MP NI 6 New Interval Metered Connection	To register a metered Interval Meter Point as part of the new connection process
MP NI 37 Change of Supplier - Keypad	To register a Keypad Meter Point registered to another supplier

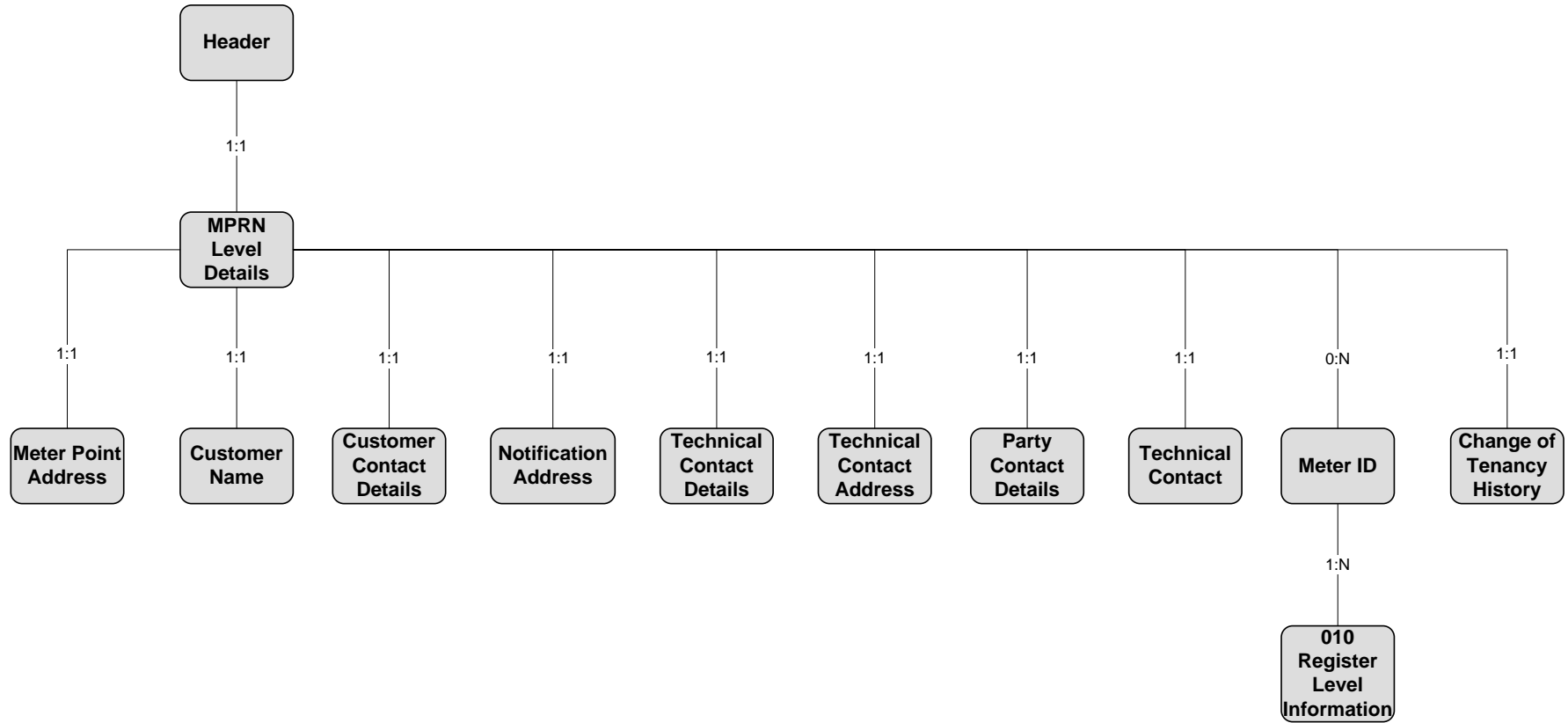
In all cases message 010 should only be sent once the Supplier has concluded an agreement to supply electricity to the customer identified in the message at the Meter Point being registered.

The term ‘D’ indicates the date of registration receipt by NIE Networks.

NI - Market Message Implementation Guide – Meter Registration

Data Hierarchy Diagram

010 Message



NI - Market Message Implementation Guide – Meter Registration

Composition Instructions

The Supplier should follow the instructions below in populating the Registration message.

Segment and Field Level Identifier – 010 Message			Rpt	Optionality	Instructions for Population
1	Message Header		1	Mandatory	See Common Data Segments for detailed notes on structure and population.
1	MPRN Level Information		1	Mandatory	
2	FLD	MPRN	1	Mandatory	All elements of the MPRN, the unique identifying reference number for the Meter Point to be registered, must be provided
2	FLD	Market Participant Business Reference	1	Mandatory	The Supplier must provide an internal reference number.
2	SEG	Meter Point Address	1	Mandatory	The address at which the Meter Point is connected. The Supplier should use the address as published by NIE Networks. Where NIE Networks hold Post Code data the registration data provided by the Supplier must match exactly to this data. If there is a change of address then, following confirmation of the registration, the Supplier should use the customer details message (013) to advise the change. See Common Data Segments for detailed notes on structure and population.
2	SEG	Customer Name	1	Mandatory	The name of the customer with whom the Supplier has concluded an agreement to supply electricity must be provided. See Common Data Segments for detailed notes on structure and population.
2	FLD	Supplier ID	1	Mandatory	The code identifying the Supplier to whom the Meter Point will be registered, obtained from the list of codes issued by NIE Networks.
2	FLD	Supplier Unit ID	1	Mandatory	The Supplier Unit to which demand will be aggregated under the Single Electricity Market, obtained from the list of codes issued by NIE Networks.
2	FLD	SSAC	1	Mandatory	The arrangement under which consumption usage will be aggregated for settlement. This is selected from the list of codes issued by NIE Networks and must be an arrangement that is valid for the Supplier Unit with respect to the Settlement Class of the Meter Point. The current valid values are ‘A’ for all suppliers except NIEES who use ‘F’.
2	FLD	Supply Agreement Flag	1	Mandatory	A Boolean message flag that indicates the existence of an agreement to supply electricity to the customer identified in the message at the Meter Point being registered. It must be set as follows: <ul style="list-style-type: none"> • 1 i.e. a logical value of True, where the Supplier has concluded an agreement to supply electricity to the customer at the Meter Point • 0 i.e. a logical value of False, where the Supplier has not concluded

NI - Market Message Implementation Guide – Meter Registration

Segment and Field Level Identifier – 010 Message			Rpt	Optionality	Instructions for Population
					an agreement to supply electricity to the customer at the Meter Point. This will cause a rejection of the 010 message
2	FLD	Change of Tenant / Legal Entity	1	Mandatory	<p>A Boolean flag that indicates that the identity of the customer has changed. It must be set as follows:</p> <ul style="list-style-type: none"> • 1 i.e. a logical value of True, if the customer is different to that with whom the current supplier has an agreement. • 0 i.e. a logical value of False, if the customer is the same as that with whom the current supplier has an agreement.
2	FLD	Change of Supplier Read Arrangement	1	Optional	<p>A code that indicates the type of read to be used at a Change of Supplier which is required for all Meter Points that have Non-Interval metering and also for both Interval and Non-Interval Meter Points where a change of metering is required. It is not used for New Connections or for Meter Points that are unmetred.</p> <p>Where used it should be selected from one of the following:</p> <ul style="list-style-type: none"> • CR – Supplier or Customer Provided Read. This is used for Non-Interval Meter Points to indicate that the Supplier or Customer will provide a customer read to effect the changeover. The reading may be provided as part of message 010 for non-interval credit metered Meter Points or at a later date using message 210 for any non-interval metered Meter Point. CR should be selected for a keypad Change of Supplier Registration where no physical metering changes, meter configuration changes or energisation are required. The reading should not be provided as part of message 010. • SC – Scheduled Read. This is used for Non-Interval Meter Points (excluding keypad) to indicate that the Supplier will await the next scheduled reading date to effect the Change of Supplier using the scheduled reading. • SP – Special Read. This is used for Non-Interval Meter Points either: <ul style="list-style-type: none"> ○ to indicate that the Supplier requires NIE Networks to collect a special read to be used to effect the Change of Supplier (including the purpose of aiding a customer with Special Needs) • DR – Supplier of Last Resort. This is used when a Meter Point is registered under the Supplier of Last Resort process • MC – Meter Change. This must be selected if meter works are required

NI - Market Message Implementation Guide – Meter Registration

Segment and Field Level Identifier – 010 Message			Rpt	Optionality	Instructions for Population
					If code 'MC' is used then Meter Configuration Code must be provided (see below).
2	FLD	Change of Supplier Estimate Acceptable	1	Optional	<p>A Boolean flag to indicate the acceptability of an estimate as an alternative in the case of failure to obtain an actual or customer read.</p> <p>The estimate acceptable flag should be set to 1 i.e. a logical value of True if all the following are true:</p> <ul style="list-style-type: none"> ○ the Supplier has specified Customer Read or Scheduled Read as the Read Arrangement; ○ the Supplier is willing to accept an estimate from NIE Networks if the Customer or Scheduled read cannot be obtained or proves to be invalid; ○ an actual read has been received in the last 12 months
2	FLD	Meter Configuration Code	1	Optional	<p>A code to indicate that a change is required by the New Supplier to the functionality delivered by the metering installed at a Meter Point.</p> <p>It must be provided for a Change of Supplier when the Change of Supplier Read Arrangement is 'MC' Otherwise the field is not required for a Change of Supplier.</p> <p>It is not required for metered New Connections and will be ignored if included. It is not required for Meter Points that are interval metered or for unmetered.</p> <p>The code must be one that is permitted for Supplier request and allowable for Meter Point characteristics and MIC.</p>
2	SEG	Customer Contact Details	1	Optional	<p>A set of details enabling the customer to be contacted.</p> <p>See Common Data Segments for detailed notes on structure and population</p>
2	SEG	Notification Address	1	Optional	<p>An address for correspondence with customers.</p> <p>The Notification Address should only be provided if the Meter Point Address is not the address for correspondence. See Common Data Segments for detailed notes on structure and population.</p>
2	FLD	Contact Name	1	Optional	<p>This is the contact name of a person available for contacting for Technical purposes relating to the Meter Point where this is different to the Customer Contact. This field must be provided where Technical contact details are provided.</p>
2	SEG	Technical Contact Details	1	Optional	<p>This segment refers to the technical contact phone numbers for a technical representative. This segment must be populated where Suppliers are creating</p>

NI - Market Message Implementation Guide – Meter Registration

Segment and Field Level Identifier – 010 Message			Rpt	Optionality	Instructions for Population
					new technical contact details for an MPRN or where they are changing existing technical contact details.
3	FLD	Phone number 1	1	Optional	This is the principal phone number of a Technical contact and must be populated if known by Supplier
3	FLD	Phone Ext1	1	Optional	This is the principal phone number overflow field for storing number extensions where applicable
3	FLD	Phone number 2	1	Optional	This field can be used for the secondary phone number where this is required.
3	FLD	Phone Ext2	1	Optional	This is the secondary phone number overflow field for storing number extensions where applicable.
3	FLD	Fax	1	Optional	This field is intended to store a Fax telephone number where applicable
3	FLD	Fax Ext	1	Optional	This field is intended to store a Fax extension telephone number where applicable
3	FLD	Email	1	Optional	This field is intended to store electronic mail address details where applicable
2	SEG	Street Type Address (Technical)	1	Optional	Street type address provides details such as Street Name, House no etc. This segment is mandatory where a street type address is being provided or changed as part of Technical Contact details. This segment is mandatory where Technical Contact Details are provided.
3	FLD	C/O Name	1	Optional	This is the name to which correspondence can be addressed where this is different to the contact name.
3	FLD	Unit No.	1	Optional	This field can be used to populate information relating to the unit, flat or apartment number that can be part of an address
3	FLD	Addr Line 1	1	Optional	This field can be used as overflow for address details that apply before the street part of an address.
3	FLD	Addr Line 2	1	Optional	This field can be used as overflow for address details that apply before the street part of an address.
3	FLD	House No.	1	Optional	This can be used to populate the number of a premises given as part of an address
3	FLD	Street	1	Mandatory	This field stores information relating to the street part of an address and must be populated if the segment is provided.
3	FLD	Addr Line 4	1	Optional	This field can be used as overflow for address details that apply after the street part of an address.
3	FLD	Addr Line 5	1	Optional	This field can be used as overflow for address details that apply after the street part of an address.
3	FLD	Post code	1	Optional	This is the postal or Zip code given as part of address where appropriate
3	FLD	City	1	Optional	Used to populate the details of which City an address resides in where appropriate

NI - Market Message Implementation Guide – Meter Registration

Segment and Field Level Identifier – 010 Message			Rpt	Optionality	Instructions for Population
3	FLD	County – Ireland	1	Optional	A field denoting the county in Ireland in which an address resides. See the list of data codes for permissible values here. If the Technical (Street Type) Address is in Ireland this item must be populated.
3	FLD	County / State	1	Optional	This denotes the county in which an address is situated. This is a free text 40 character field for use in non – Irish Addresses.
3	FLD	Country	1	Optional	A field that makes up part of an address denoting in which country the address resides. See the list of data codes for permissible values here. This field must be populated where a Technical Contact Address is provided.
2	FLD	Medical Equipment Special Needs	1	Optional	<p>A code indicating the type of medical equipment special needs that a customer has. This item must be provided by Suppliers where they are adding or changing these details. The allowed values to be used by Suppliers are as follows:</p> <ul style="list-style-type: none"> • CL – Electric Chair Lift • EH – Electric Hoist • EM – Electric Mattress/Bed • FR – Vital Medicine Requiring Refrigeration • HD – Home Dialysis • MS – Multiple Sclerosis • NB – Nebuliser • NP – Peg Tube Feeding Pump • OC – Oxygen Concentrator • PN – Total Parental Nutrition Machine • PV - Patient Vital Signs Monitoring • SL – Electric Pressure Stair Lift • SP – Suction Pump • VT – Ventilator
2	FLD	Display on Extranet	1	Optional	Not Used in NI
2	SEG	Customer Service Special Needs	0:N	Optional	An instance of this segment is provided for each applicable Customer Service Special Needs code
3	FLD	Customer Service Special Need Code	1	Mandatory	<p>A code indicating the type of special requirement that a customer has. This item must be provided by Suppliers where a special need exists. The allowed values to be used by Suppliers are as follows:</p> <ul style="list-style-type: none"> • 0001 – Visually Impaired • 0002 – Speech Impaired • 0003 – Hearing Impaired • 0004 – Elderly • 0005 – Language Difficulty • 0006 – Learning Difficulty

NI - Market Message Implementation Guide – Meter Registration

Segment and Field Level Identifier – 010 Message			Rpt	Optionality	Instructions for Population
					<ul style="list-style-type: none"> • 0007 – Mobility Impaired • 0008- Dexterity Impaired <p>Where this field has been populated and an appointment ID has been provided, NIE Networks will assume that the special needs are relevant to the requirement for an appointment to complete the CoS process.</p>
2	FLD	Economic Activity Indicator	1	Optional	<p>A code indicating the type of activity undertaken by the customer in the premises.</p> <p>The code is selected from the SIC codes provided by NIE Networks. For Residential Usage Type the value should be 98000</p>
2	SEG	Party Contact Details	1	Optional	<p>Details enabling the New Supplier to be contacted in the event of a query with the Registration.</p> <p>See Common Data Segments for detailed notes on structure and population</p>
2	FLD	Required Date	1	Optional	<p>The date that the Supplier either:</p> <ul style="list-style-type: none"> ○ Requires a Registration for an Interval Meter Point or un-metered to take effect; or ○ Indicates as the date a Customer Read was obtained, if provided <p>It should be populated as follows:</p> <ul style="list-style-type: none"> ○ For an Interval Meter Point or un-metered it should be the first day on which the registration is required to be effective i.e. D+3 to D+15 ○ For a Non-Interval credit metered Meter Point where a Customer Read is provided as part of the registration message 010, it should be the date the reading was obtained from the meter. <ul style="list-style-type: none"> ○ For residential customers this date should not be more than twelve days prior to receipt by NIE Networks. ○ For commercial customers this date should not be more than two days prior to receipt by NIE Networks. ○ For a Non-Interval credit metered Meter Point where a Customer Read is not provided as part of the registration message 010, it must be: <ul style="list-style-type: none"> ○ For residential customers a date not more than twelve days prior to, or more than fifteen days later than registration message receipt by NIE Networks ○ For commercial customers a date not more than two days prior to, or more than fifteen days later than registration message receipt by NIE Networks

NI - Market Message Implementation Guide – Meter Registration

Segment and Field Level Identifier – 010 Message			Rpt	Optionality	Instructions for Population
					<p>For a special read the required date is ignored.</p> <p>In all other cases the required date is optional however if provided and it is more than D+15 then registration will be rejected.</p> <p>For a scheduled read if provided it will be interpreted as a not before date.</p> <p>For a Residential New Connection the Required Date should be omitted and will be ignored if provided.</p> <p>For a Commercial New Connection the Required Date is optional and will be interpreted as ‘do not connect before this date’. The Required Date may not be retrospective.</p> <p>For Non-Interval credit metering a Change of Supplier request will be treated retrospectively where a Reading and Required date are provided on 010.</p>
2	SEG	Meter ID	0..N	Optional	<p>This segment is used to provide Change of Supplier meter readings. Meter Readings may be provided only if Change of Supplier Read Arrangement of ‘Customer Read’ is specified. In any other circumstance they will be ignored.</p> <p>Even where a Change of Supplier Read Arrangement of ‘Customer Read’ is specified it is not mandatory to provide Meter Readings. The Supplier may opt to wait until a later date and provide the readings using message 210.</p> <p>Where Meter Readings are validly provided then the Required Date will be used as the date of the readings unless readings of a higher priority are received for a date within the CoS window. This means that the New Supplier registration will take effect from the day after Required Date.</p>
3	FLD	Meter Category	1	Optional	Not used in Northern Ireland
3	FLD	Serial Number	1	Optional	<p>The physical number found on a meter.</p> <p>The complete Serial Number must be provided. The serial number can be obtained either:</p> <ul style="list-style-type: none"> ○ From the meter itself ○ From information published by NIE Networks
3	SEG	Register Level Information	1..N	Mandatory	Where customer readings are to be provided then a reading should be provided for every consumption register together with sufficient information to identify the appropriate register.

NI - Market Message Implementation Guide – Meter Registration

Segment and Field Level Identifier – 010 Message			Rpt	Optionality	Instructions for Population
4	FLD	Meter Register Sequence	1	Optional	An identifier to distinguish between different meter dials on a physical meter or set of meters. The Meter Register Sequence must be provided if there are multiple registers with the same timeslot. Meter Register Sequence may be obtained from information published by NIE Networks.
4	FLD	Timeslot	1	Optional	A code that indicates the period that a meter is recording electricity consumption. The Timeslot must be provided in NI and may be obtained from information published by NIE Networks.
4	FLD	Register Type	1	Optional	Register Type is a code to indicate the purpose of the register. Refer to the Data Codes published by NIE Networks for a complete list of codes.
4	FLD	Reading	1	Mandatory	This should be the reading recorded on the Read Date on the meter register identified by the Serial Number, Meter Register Sequence and Timeslot data provided.
2	FLD	Tariff Configuration Code	1	Optional	A code that is mandatory for a key-pad metered Meter Point to indicate the tariff (or rate category) required by the Supplier.
2	FLD	Security Question	1	Optional	Not used in NI
2	FLD	Security Answer	1	Optional	Not used in NI
2	FLD	Meter Reader Password	1	Optional	The password that a meter reader will provide if requested by a customer when visiting a site to collect meter readings.
2	FLD	Debt Transfer Flag	1	Optional	A flag set to True that indicates that for a Residential customer registration the Supplier has agreed to accept outstanding customer debt from the Old Supplier
2	FLD	Appointment ID	1	Optional	Must be provided for Change of Supplier requests where fieldwork is required. Refer to the appropriate retail market procedure. The appointment date must not be more than D+15 to comply with required date processing.
2	SEG	Change of Tenancy History	0:1	Optional	If the Change of Tenant / Legal Entity flag is set to True, data will be provided about the previous Supplier, address and premise identifier for the customer (to be passed to the previous Supplier of the customer in accordance with MP NI 115 Debt Management)
3	FLD	Previous Supplier	1	Mandatory	The code identifying the previous Supplier of the customer
3	FLD	Previous Account Number	1	Optional	The customer account number that the customer has with the previous Supplier
3	FLD	Previous MPRN	1	Optional	The MPRN of the site at which the customer was supplied by the previous Supplier

NI - Market Message Implementation Guide – Meter Registration

Segment and Field Level Identifier – 010 Message			Rpt	Optionality	Instructions for Population
3	FLD	Previous Address	1	Optional	The address at which the customer was supplied by the previous Supplier
2	FLD	Prepayment Type	1	Optional	This field has been added for future proofing and does not need to be populated when the Meter Works Type is set to K05 to indicate the Prepayment Type to be installed when a prepayment facility is requested. The valid value is as follows: <ul style="list-style-type: none"> • P01
2	FLD	Meter Works Type	1	Optional	This field must be populated if the CoS Read Arrangement is ‘MC’. The valid values are as follows: <ul style="list-style-type: none"> • K02 Prepayment meter/configuration code change • K05 Change from Credit to Prepayment • M01 MCC Change (NI), Non-Keypad) • M12 Change from Prepayment to Credit
2	FLD	Access Arrangements	1	Optional	Access arrangements are the arrangements provided by a customer specific to a particular request for work. Suppliers should provide as much detail as possible here so as to improve the chances of gaining access to carry out the requested work.

Validation

NIE Networks will undertake the following validation of the 010 message.

Segment and Field Level Identifier – 010 Message			Validation
1	Message Header		Not validated by NIE Networks
1	MPRN Level Information		
2	FLD	MPRN	The MPRN must exist in an assigned (New Connections only) energised or de-energised state and not be terminated.
2	FLD	Market Participant Business Reference	Not validated by NIE Networks
2	SEG	Meter Point Address	The Meter Point Address will be compared to that held for the Meter Point by NIE Networks. If NIE Networks hold data and there is any discrepancy in the following field the registration will be rejected: <ul style="list-style-type: none"> • Postal Code <p>Meter Point Address matching is case sensitive.</p> <p>If NIE Networks do not hold data in Post Code, then NIE Networks will review other elements of the address to determine if there is an address match.</p>
2	SEG	Customer Name	For HV sites will be compared against records held by NIE Networks to determine if a Change of Legal Entity has occurred

NI - Market Message Implementation Guide – Meter Registration

Segment and Field Level Identifier – 010 Message			Validation
2	FLD	Supplier ID	NIE Networks will check that the Supplier ID is a valid ID that identifies a Supplier entitled to register a Meter Point under the legislation and in accordance with the Trading and Settlement Code.
2	FLD	Supplier Unit ID	NIE Networks will check that the Supplier Unit ID must be a valid Supplier Unit ID for the Supplier ID.
2	FLD	SSAC	NIE Networks will check that the SSAC is an arrangement that is valid for the Supplier Unit with respect to the Settlement Class of the Meter Point. The current valid values are ‘A’ for all suppliers except NIEES who use ‘F’.
2	FLD	Supply Agreement	NIE Networks will check that the Supply Agreement flag is set as ‘True’.
2	FLD	Change of Tenant / Legal Entity	Where connection is at high or extra-high voltage and there is a Change of Legal Entity determined here or from the Customer Name information provided above then NIE Networks will check for the existence of a Connection Agreement signed by the customer.
2	FLD	Change of Supplier Read Arrangement	NIE Networks will reject the registration if this code is not consistent with the Change of Supplier validation rules NIE Networks will disregard a Read Arrangement specified for a New Connection or for an unmetred Meter Point
2	FLD	Change of Supplier Estimate Acceptable	NIE Networks will disregard an Estimate Acceptable value of ‘true’ in the following circumstances: <ul style="list-style-type: none"> ○ A New Connection ○ A Change of Supplier for an Interval Meter Point ○ Where there has been no actual read in the previous twelve months
2	FLD	Meter Configuration Code	NIE Networks will validate the Meter Configuration Code for Change of Supplier only when the Change of Supplier Read Arrangement is required to be set to ‘MC’ (Meter Change). If so, the registration request will be rejected if: <ul style="list-style-type: none"> • The code does not represent a permissible change from the current Meter Configuration. • The code is not consistent with the MIC. • The code is not an allowable request by the Supplier ○ The code is not present.
2	SEG	Customer Contact Details	Not validated by NIE Networks
2	SEG	Notification Address	See Common Data Segments doc for detailed validations at field level.
2	FLD	Contact Name	Must be provided where technical contact details are provided.
2	SEG	Technical Contact Details	No individual validation of this segment.
3	FLD	Phone number 1	No individual validation of this field.
3	FLD	Phone Ext1	No individual validation of this field.
3	FLD	Phone number 2	No individual validation of this field.
3	FLD	Phone Ext2	No individual validation of this field.
3	FLD	Fax	No individual validation of this field.
3	FLD	Fax Ext	No individual validation of this field.
3	FLD	Email	No individual validation of this field.
2	SEG	Street Type Address (Technical)	No individual validation at segment level.

NI - Market Message Implementation Guide – Meter Registration

Segment and Field Level Identifier – 010 Message			Validation
3	FLD	C/O Name	No individual validation of this field.
3	FLD	Unit No.	No individual validation of this field.
3	FLD	Addr Line 1	No individual validation of this field.
3	FLD	Addr Line 2	No individual validation of this field.
3	FLD	House No.	No individual validation of this field.
3	FLD	Street	Message will fail validation if segment is provided and this field is left blank.
3	FLD	Addr Line 4	No individual validation of this field.
3	FLD	Addr Line 5	No individual validation of this field.
3	FLD	Post code	No individual validation of this field.
3	FLD	City	No individual validation of this field.
3	FLD	County - Ireland	Message will fail validation if item does not match one of allowed code values where supplied
3	FLD	County / State	No individual validation of this field.
3	FLD	Country	Message will fail validation if item is left blank or does not match one of allowed code values where the segment is provided.
2	FLD	Medical Equipment Special Needs	The message will fail validation if item does not match one of the valid codes where provided
2	SEG	Customer Service Special Needs Details	
3	FLD	Customer Service Special Need Code	The message will fail validation if item does not match one of the valid codes where provided
2	FLD	Economic Activity Indicator	NIE Networks will store updates only where the Economic Activity Indicator is set to a valid SIC code for a Commercial site.
2	SEG	Party Contact Details	Not validated by NIE Networks. See Common data Segment doc for segment details.
2	FLD	Required Date	<p>If the Change of Supplier Read Arrangement is specified as ‘CR’ (Customer Read) and a reading is provided, the Required Date must be:</p> <ul style="list-style-type: none"> ○ Not earlier than 12 days before the date of receipt by NIE Networks of the registration request for a residential credit Meter Point ○ Not earlier than 2 days before the date of receipt by NIE Networks of the registration request for a commercial Meter Point ○ Not later than the date of receipt by NIE Networks of the registration request <p>If the Change of Supplier Read Arrangement is specified as ‘CR’ (Customer Read) and a reading is not provided, the Required Date must be:</p> <ul style="list-style-type: none"> ○ Not earlier than 12 days before the date of receipt by NIE Networks of the registration request for a residential credit Meter Point ○ Not earlier than 2 days before the date of receipt by NIE Networks of the registration request for a commercial Meter Point ○ Not later than fifteen days after the date of receipt by NIE Networks of the registration request

NI - Market Message Implementation Guide – Meter Registration

Segment and Field Level Identifier – 010 Message			Validation
			<p>If the Change of Supplier Read Arrangement is specified as ‘SC’ (Scheduled Read) then the Required Date is not needed and is not validated. If provided (to be used as a not before date) it cannot be later than D+15.</p> <p>For Interval Metered and Unmetered Change of Supplier scenarios the Required Date must be:</p> <ul style="list-style-type: none"> ○ Not earlier than 3 days after the date of receipt by NIE Networks of the registration request ○ Not later than 15 days after the date of receipt by NIE Networks of the registration request <p>For a New Connection the Required Date is not validated.</p>
2	SEG	Meter ID	
3	FLD	Meter Category	Not validated by NIE Networks
3	FLD	Serial Number	NIE Networks will match the Serial Number to the Serial Number(s) recorded for the Meter Point by NIE Networks and if a unique match cannot be found the readings will be rejected.
3	SEG	Register Level Information	NIE Networks will expect a reading for every register installed at the Meter Point and will reject the readings if this is not the case.
4	FLD	Meter Register Sequence	If provided, NIE Networks will match the Meter Register Sequence to the Meter Register Sequence (s) recorded for the Meter Point by NIE Networks.
4	FLD	Timeslot	NIE Networks will match the Timeslot to the Timeslot (s) recorded for the Meter Point and Meter Serial Number matched above. If a unique match cannot be found the readings will be rejected.
4	FLD	Register Type	If provided and NIE Networks cannot otherwise match readings to a register, NIE Networks will match the Register Type to the Register Type (s) recorded for the Meter Point and Meter Serial Number matched above. If a unique match cannot be found the readings will be rejected.
4	FLD	Reading	Provided the readings are not rejected, NIE Networks will validate the readings according to the rules specified in MP NI 14
2	FLD	Tariff Configuration Code	<p>NIE Networks will validate the Tariff Configuration Code for a Change of Supplier at a keypad metered Meter Point. The registration request will be rejected if:</p> <ul style="list-style-type: none"> • The code is not requestable by the Supplier • The code is not consistent with the required Meter Configuration Code • The code is not present.
2	FLD	Security Question	Not validated by NIE Networks
2	FLD	Security Answer	Not validated by NIE Networks
2	FLD	Meter Reader Password	Not validated by NIE Networks
2	FLD	Debt Transfer Flag	Not validated by NIE Networks
2	FLD	Appointment ID	<p>NIE Networks will validate that an appointment is provided for Change of Supplier requests that require fieldwork and that a valid appointment has been booked by the supplier for the MPRN. NIE Networks will also validate that the Appointment ID date is not greater than D+15.</p> <p>NIE Networks will also validate that an Appointment ID is not provided when an appointment booking is not required.</p>

NI - Market Message Implementation Guide – Meter Registration

Segment and Field Level Identifier – 010 Message			Validation
2	SEG	Change of Tenancy History	If the Change of Tenant flag is set to True, data can be provided about the previous supplier, address and premise identifier for the customer (to be passed to the previous supplier of the customer)
3	FLD	Previous Supplier	Must be a valid Supplier ID
3	FLD	Previous Account Number	Not validated by NIE Networks
3	FLD	Previous MPRN	Not validated by NIE Networks
3	FLD	Previous Address	Not validated by NIE Networks
2	FLD	Prepayment Type	Not validated by NIE Networks
2	FLD	Meter Works Type	The registration request will be rejected if the code is required and the value is not from the list of allowable Meter Work Types
2	FLD	Access Arrangements	Not validated by NIE Networks

NIE Networks will use the data in the message to validate the Suppliers registration. The validations are described above.

If the registration request is accepted then one of the following messages is returned to the Supplier:

- Message 101 indicates acceptance of a New Connection registration
- Message 101P indicates provisional acceptance of a New Connection registration
- Message 102 indicates acceptance of a Change of Supplier registration
- Message 102P indicates provisional acceptance of a Change of Supplier registration

If the registration request is accepted but readings that were provided are rejected then message 303R is returned to the Supplier.

If the registration request is rejected then one of the following messages is returned to the Supplier:

- Message 101R indicates rejection of a New Connection registration
- Message 102R indicates rejection of a Change of Supplier registration

NI - Market Message Implementation Guide – Meter Registration

2.4.2 Message 011: Cancel Registration Request

Purpose and Description of Message

Message 011 is sent by an existing or prospective new Supplier to NIE Networks in order to request cancellation of a registration to a Meter Point. The message may be sent either before the registration is confirmed or within 100 days following confirmation for any reason.

A Supplier may also send message 011 to NIE Networks in order to request cancellation of a registration to a Meter Point prior to energisation of a new connection.

It identifies the MPRN and the reason for cancellation.

Message 011 is used in the following Market Process:

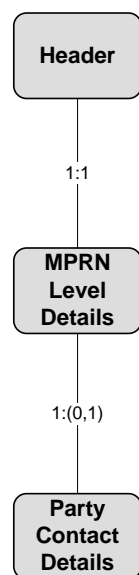
Process Number and Title	Use of Message
MP NI 3 Objections and Cancellations	To cancel a registration

If message 011 is used to request cancellation of a completed Change of Supplier then, if the request is accepted, the Supplier may be liable to a charge for cancellation.

NI - Market Message Implementation Guide – Meter Registration

Data Hierarchy Diagram

011 Message



Composition Instructions

The Supplier should follow the instructions below in populating the Cancellation message.

Segment and Field Level Identifier – 011 Message			Rpt	Optionality	Instructions for Population
1	Message Header		1	Mandatory	See Common Data Segments for detailed notes on structure and population.
1	MPRN Level Information		1	Mandatory	
2	FLD	MPRN	1	Mandatory	The unique identifying reference number for the Meter Point where the registration is requested to be cancelled. All elements of the MPRN must be provided
2	FLD	Market Participant Business Reference	1	Mandatory	The Supplier must provide an internal reference number.
2	FLD	Cancellation Reason	1	Mandatory	A code to indicate why a supplier wishes to cancel a registration. It must be selected from the list of valid reasons issued by NIE Networks: <ul style="list-style-type: none"> ○ CR denotes that the customer requested not to proceed with the contract to supply. ○ OS denotes that the Supplier is cancelling in response to an

NI - Market Message Implementation Guide – Meter Registration

Segment and Field Level Identifier – 011 Message			Rpt	Optionality	Instructions for Population
					objection. This code should be used for Change of Supplier only. <ul style="list-style-type: none"> ○ SE denotes that the Supplier registered the Meter Point in error but cancellation is not as a result of an objection
2	FLD	Supplier ID	1	Mandatory	A code identifying the Supplier requesting the cancellation It must be set to the identity of the requesting Supplier who will either have: <ul style="list-style-type: none"> ○ A pending registration ○ A current registration confirmed within the last 100 business days.
2	SEG	Party Contact Details	1	Optional	Details enabling the Supplier to be contacted in the event of a query with the request. See Common Data Segments for detailed notes on structure and population

Validation

NIE Networks will undertake the following validation.

Segment and Field Level Identifier – 011 Message			Validation
1 Message Header			Not validated by NIE Networks
1 MPRN Level Information			
2	FLD	MPRN	The MPRN must either: <ul style="list-style-type: none"> • have a current registration, effective within the previous 100 days, to the requesting Supplier ID; or • be in the process of being registered for a Change of Supplier by the requesting Supplier ID; or • be in the process of being registered as a New Connection by the requesting Supplier ID and not yet be energised
2	FLD	Market Participant Business Reference	Not validated by NIE Networks
2	FLD	Cancellation Reason	The Cancellation Reason must have been selected from the list of valid reasons issued by NIE Networks
2	FLD	Supplier ID	See MPRN validation above
2	SEG	Party Contact Details	Not validated by NIE Networks

NIE Networks will use the data in the message to process the Supplier’s cancellation request. The validations are described above and in the relevant Market documentation.

If the cancellation request is accepted then one of the following messages is generated:

- Message 111A is sent to the Old Supplier if the request is for cancellation of a Change of Supplier that has been completed and is not subject to an outstanding objection; else

NI - Market Message Implementation Guide – Meter Registration

- Message 111 is sent to the New Supplier to indicate cancellation of the registration (except for a completed keypad Change of Supplier)
- Message 111L is sent to the Old Supplier to indicate cancellation of the registration (except for a completed keypad Change of Supplier).

If the cancellation request is rejected then the following messages is returned to the Supplier:

- Message 111R indicates rejection of a cancellation request.

NI - Market Message Implementation Guide – Meter Registration

2.4.3 Message 011A: Cancel Change of Supplier Agreement

Purpose and Description of Message

Message 011A is sent by an Old Supplier to NIE Networks to indicate agreement, or otherwise, to the cancellation of a completed New Supplier's registration to a Meter Point. An Old Supplier should only send message 011A in response to receipt of message 111A.

It identifies the MPRN and the reason for cancellation.

Message 011A is used in the following Market Process:

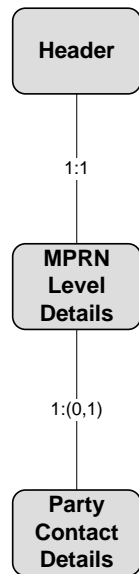
Process Number and Title	Use of Message
MP NI 3 Objections and Cancellations	To respond to the cancellation of a registration

The Old Supplier should respond with their agreement or disagreement as soon as possible.

NI - Market Message Implementation Guide – Meter Registration

Data Hierarchy Diagram

011A Message



Composition Instructions

The Supplier should follow the instructions below in populating the Cancel Change of Supplier Agreement message.

Segment and Field Level Identifier – 011A Message			Rpt	Optionality	Instructions for Population
1	Message Header		1	Mandatory	See Common Data Segments for detailed notes on structure and population.
1	MPRN Level Information		1	Mandatory	
2	FLD	MPRN	1	Mandatory	The unique identifying reference number for the Meter Point where the registration is requested to be cancelled. All elements of the MPRN must be provided
2	FLD	Market Participant Business Reference	1	Mandatory	The Supplier must provide an internal reference number.
2	FLD	Cancellation Agreement	1	Mandatory	A Boolean true/false flag indicating that an Old Supplier agrees or does not agree to a cancellation of a Change of Supplier. It must be set to either: <ul style="list-style-type: none"> ○ 1 i.e. a logical value of True denoting agreement to the request for cancellation; or ○ 0 i.e. a logical value of False denoting disagreement with the

NI - Market Message Implementation Guide – Meter Registration

Segment and Field Level Identifier – 011A Message			Rpt	Optionality	Instructions for Population
					request for cancellation.
2	FLD	Supplier ID	1	Mandatory	A code identifying the Supplier responding to the Change of Supplier Cancellation Notification. It must be set to the previously registered Old Supplier.
2	SEG	Party Contact Details	1	Optional	Details enabling the Supplier to be contacted in the event of a query with the request. See Common Data Segments for detailed notes on structure and population

Validation

NIE Networks will undertake the following validation.

Segment and Field Level Identifier – 011A Message			Validation
1	Message Header		Not validated by NIE Networks
1	MPRN Level Information		
2	FLD	MPRN	NIE Networks will check that the MPRN was previously registered (within the last 105 days) to the Supplier indicated on the message and that a Cancellation Notification (111A) was previously sent.
2	FLD	Market Participant Business Reference	Not validated by NIE Networks
2	FLD	Cancellation Agreement	NIE Networks will check that the flag is set to True or False
2	FLD	Supplier ID	See MPRN validation above
2	SEG	Party Contact Details	Not validated by NIE Networks

NIE Networks will use the data in the message to process the Old Supplier's cancellation response. The validations are described above and in the relevant Market documentation.

If the cancellation agreement flag is set to True and the agreement is accepted then the Old Supplier is registered as of the Change of Supplier date and message 111 will be sent to the New Supplier and 111L to the Old Supplier to indicate cancellation of the Change of Supplier.

If the cancellation agreement flag is set to False and the disagreement is accepted then message 111R will be sent to the New Supplier to indicate that the New Supplier registration will not be cancelled.

NI - Market Message Implementation Guide – Meter Registration

2.4.4 Message 012: Notification of Objection

Purpose and Description of Message

Message 012 is sent by an Old Supplier to NIE Networks in order to object to the erroneous transfer of a Meter Point to a New Supplier or to initiate the Debt Contact process.

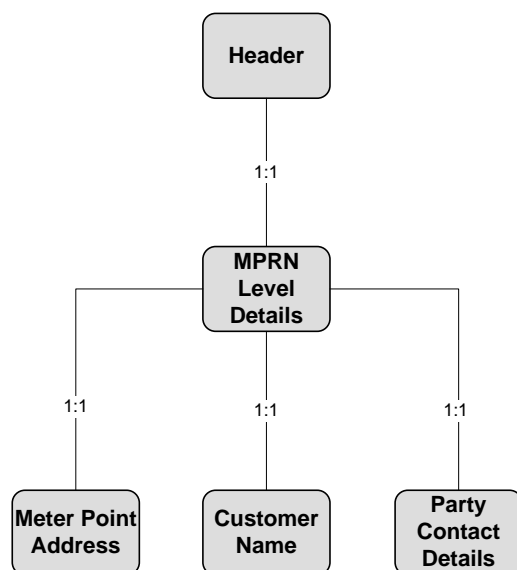
It identifies the MPRN for which an objection is being made together with address and customer identification details.

Message 012 is used in the following Market Process:

Process Number and Title	Use of Message
MP NI 3 Objections and Cancellations	To object to a registration or raise a debt contact

Data Hierarchy Diagram

012 Message



NI - Market Message Implementation Guide – Meter Registration

Composition Instructions

Supplier should follow the instructions below in populating the Objection message.

Segment and Field Level Identifier – 012 Message			Rpt	Optionality	Instructions for Population
1	Message Header		1	Mandatory	See Common Data Segments for detailed notes on structure and population.
1	MPRN Level Information		1	Mandatory	
2	FLD	MPRN	1	Mandatory	The unique identifying reference number for the Meter Point where an objection is being initiated. All elements of the MPRN must be provided
2	FLD	Market Participant Business Reference	1	Mandatory	The Supplier must provide an internal reference number.
2	SEG	Meter Point Address	1	Mandatory	The address at which the Meter Point is connected. Where possible the Supplier should use the address as published by NIE Networks as this will aid validation. See Common Data Segments for detailed notes on structure and population.
2	SEG	Customer Name	1	Mandatory	The Supplier should provide the name of the customer with whom they have or had an agreement to supply at the Meter Point and Meter Point Address. See Common Data Segments for detailed notes on structure and population.
2	FLD	Request Status	1	Mandatory	A code that indicates that a request is being initiated. This must be set to: <ul style="list-style-type: none"> ○ I – denoting initiation of the objection
2	FLD	Objection Reason	1	Mandatory	A code to indicate the old supplier's reason for the objection. This must be set to <ul style="list-style-type: none"> • ET - for reason of erroneous transfer • DE – for debt (Commercial only) • DCN - for debt contact notification (Residential only) • CD – for contract default (Commercial only)
2	FLD	Supplier ID	1	Mandatory	This must be set to the currently or previously registered Supplier that is hereby objecting to the Change of Supplier.
2	SEG	Party Contact Details	1	Optional	Details enabling the Supplier to be contacted in the event of a query with the objection. An entry is recommended to enable the New Supplier to contact the Old Supplier to discuss the objection. See Common Data Segments for detailed notes on structure and population.

NI - Market Message Implementation Guide – Meter Registration

Validation

NIE Networks will undertake the following validation.

Segment and Field Level Identifier – 012 Message			Validation
1		Message Header	Not validated by NIE Networks
1		MPRN Level Information	
2	FLD	MPRN	NIE Networks will check that either: <ul style="list-style-type: none"> ○ the MPRN is registered to the Supplier initiating the objection and a Change of Supplier is in progress; or ○ the MPRN was previously registered (within the last 100 days) to the Supplier initiating the objection.
2	FLD	Market Participant Business Reference	Not validated by NIE Networks
2	SEG	Meter Point Address	The Meter Point Address will be compared to that held by NIE Networks. If NIE Networks hold data and there is any discrepancy in the following field the registration will be rejected: <ul style="list-style-type: none"> • Postal Code <p>Meter Point Address matching is case sensitive.</p> <p>If NIE Networks do not hold data in Post Code, then NIE Networks will review other elements of the address to determine if there is an address match.</p>
2	SEG	Customer Name	Not validated by NIE Networks
2	FLD	Request Status	Not validated by NIE Networks
2	FLD	Objection Reason	NIE Networks will check that this is a valid code
			NIE Networks will also check that the objection was received within the timeframe appropriate to the objection reason.
			Objection Reason ‘DCN’ is not permitted for Commercial customers. Objection Reasons ‘DE’ and ‘CD’ are not permitted for Residential customers.
2	FLD	Supplier ID	See MPRN validation above
2	SEG	Party Contact Details	Not validated by NIE Networks

NIE Networks will use the data in the message to process the Suppliers objection. The validations are described above.

If the objection request is accepted for erroneous transfer or Residential debt contact notification then:

- Message 112 is sent to the New Supplier to report the objection or debt contact notification.

NI - Market Message Implementation Guide – Meter Registration

If the objection request is accepted for Commercial aged debt or contract default then:

- Message 111L is sent to the Old Supplier and message 111 is sent to the New Supplier to report cancellation of the Change of Supplier.

If the objection is rejected then the following message is returned to the Supplier:

- Message 112R indicates rejection of an objection.

NI - Market Message Implementation Guide – Meter Registration

2.4.5 Message 012W: Withdrawal of Objection

Purpose and Description of Message

Message 012W is sent by an old Supplier to NIE Networks in order to withdraw an objection they have previously made to a Change of Supplier.

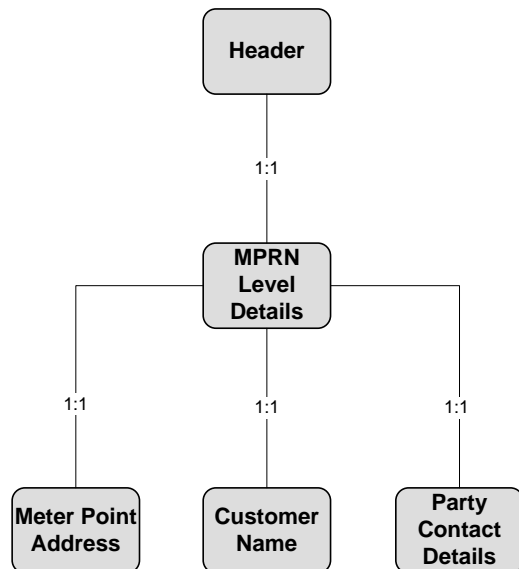
It identifies the MPRN for which the objection is being withdrawn.

Message 012W is used in the following Market Process:

Process Number and Title	Use of Message
MP NI 3 Objections and Cancellations	To withdraw an objection to a registration

Data Hierarchy Diagram

012W Message



NI - Market Message Implementation Guide – Meter Registration

Composition Instructions

Supplier should follow the instructions below in populating the Objection Withdrawal message.

Segment and Field Level Identifier – 012W Message			Rpt	Optionality	Instructions for Population
1	Message Header		1	Mandatory	See Common Data Segments for detailed notes on structure and population.
1	MPRN Level Information		1	Mandatory	
2	FLD	MPRN	1	Mandatory	The unique identifying reference number for the Meter Point where an objection is being withdrawn. All elements of the MPRN must be provided
2	FLD	Market Participant Business Reference	1	Mandatory	The Supplier must provide an internal reference number.
2	SEG	Meter Point Address	1	Mandatory	The address at which the Meter Point is connected. Where possible the Supplier should use the address as published by NIE Networks as this will aid validation. See Common Data Segments for detailed notes on structure and population.
2	SEG	Customer Name	1	Mandatory	The Supplier should provide the name of the customer with whom they have or had an agreement to supply at the Meter Point and Meter Point Address. See Common Data Segments for detailed notes on structure and population.
2	FLD	Request Status	1	Mandatory	A code that indicates that a request is being withdrawn. This must be set to: ○ W – denoting withdrawal of the objection
2	FLD	Objection Reason	1	Mandatory	A code to indicate the old supplier's reason for the objection. ○ This must be set to ET - Erroneous Transfer for this message.
2	FLD	Supplier ID	1	Mandatory	This must be set to the ID of the Supplier that is hereby withdrawing their objection to the Change of Supplier
2	SEG	Party Contact Details	1	Optional	Details enabling the Supplier to be contacted in the event of a query with the withdrawal. See Common Data Segments for detailed notes on structure and population.

NI - Market Message Implementation Guide – Meter Registration

Validation

NIE Networks will undertake the following validation.

Segment and Field Level Identifier – 012W Message			Validation
1	Message Header		Not validated by NIE Networks
1	MPRN Level Information		
2	FLD	MPRN	NIE Networks will check that the Supplier has previously initiated an objection for this MPRN.
2	FLD	Market Participant Business Reference	Not validated by NIE Networks
2	SEG	Meter Point Address	The Meter Point Address will be compared to that held by NIE Networks. If there is a discrepancy, other than minor differences in spelling, then the withdrawal will be rejected.
2	SEG	Customer Name	Not validated by NIE Networks
2	FLD	Request Status	Not validated by NIE Networks
2	FLD	Objection Reason	NIE Networks will check that this is set to ET - Erroneous Transfer. Message will fail validation if it is not.
2	FLD	Supplier ID	See MPRN validation above
2	SEG	Party Contact Details	Not validated by NIE Networks

If accepted, NIE Networks will process the Supplier's objection withdrawal by forwarding message 112W to the new Supplier and will continue with any suspended Change of Supplier process.

NI - Market Message Implementation Guide – Meter Registration

2.4.6 Message 021: De-Registration Request

Message 021 is not currently used by NIE Networks. It will be rejected if sent to NIE Networks by a Supplier.

NI - Market Message Implementation Guide – Meter Registration

2.5 [Message Directory – NIE Networks to Supplier](#)

2.5.1 Message 101: New Connection – Registration Acceptance

Purpose and Description of Message

Message 101 is sent by NIE Networks to a Supplier to advise that a registration request has been accepted and is confirmed as complete and effective.

Message 101 is used in the following Market Processes:

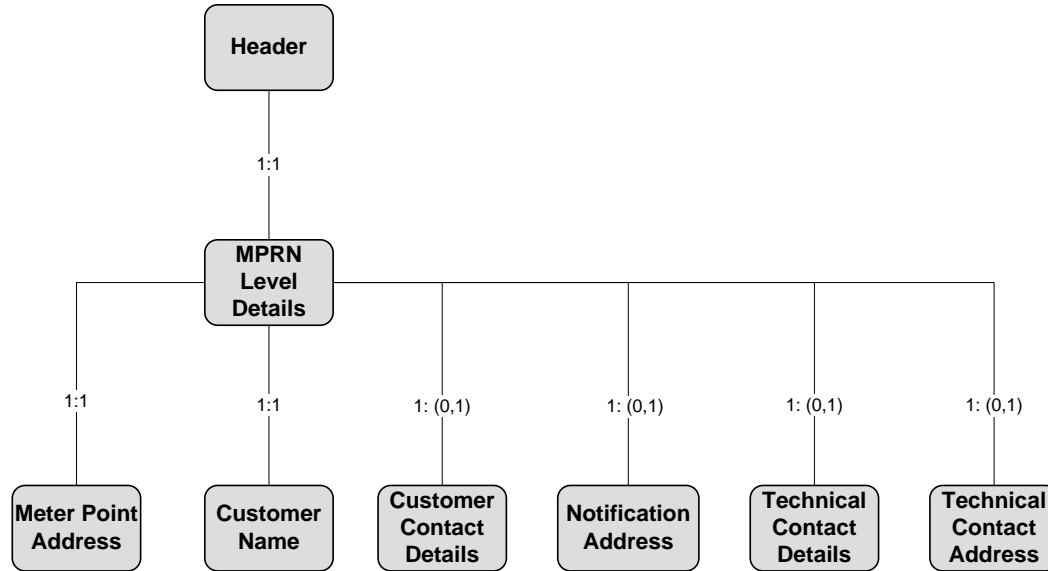
Process Number and Title	Use of Message
MP NI 5 New Non-Interval Metered Connection	To accept a registration for a metered Non-Interval Meter Point as part of the new connection process
MP NI 6 New Interval Metered Connection	To accept a registration for a metered Interval Meter Point as part of the new connection process

If message 101P has been previously sent, message 101 provides a complete refresh of data, including data previously sent using message 101P.

NI - Market Message Implementation Guide – Meter Registration

Data Hierarchy Diagram

101 Message



NI - Market Message Implementation Guide – Meter Registration

Message Structure and Interpretation

Segment and Field Level Identifier – 101 Message			Rpt	Optionality	Description and Purpose
1 Message Header			1	Mandatory	<i>See Common Data Segments for detailed notes on structure and population.</i>
1 MPRN Level Information			1	Mandatory	
2	FLD	MPRN	1	Mandatory	The unique identifying reference number for the Meter Point for which the registration has been accepted
2	FLD	Market Participant Business Reference	1	See Description	A reference to the Market Participant Business Reference provided in the Message Header of the 010 message sent by the Supplier to NIE Networks. It enables the Supplier to uniquely identify the original message to which this is the response. This will not be included when the registration is to the Supplier of Last Resort.
2	SEG	Meter Point Address	1	Mandatory	The address at which the Meter Point is connected that is currently held by NIE Networks. See Common Data Segments for a description of individual data fields.
2	FLD	Meter Point Status	1	Mandatory	The current connection status of the Meter Point. This should take the following value: <ul style="list-style-type: none"> • E – Meter Point is Energised
2	FLD	Supplier ID	1	See Description	The Supplier to whom the Meter Point is registered.
2	FLD	Supplier Unit ID	1	Mandatory	The Supplier Unit, specified by the Supplier, to which demand will be aggregated under the Single Electricity Market
2	FLD	SSAC	1	Mandatory	The arrangement, requested by the Supplier,
2	FLD	Settlement Class	1	Mandatory	A code that specifies how data is to be processed and aggregated for Settlement. This will take one of the following values: <ul style="list-style-type: none"> • N – Synthetic profile to be used in settlement • P – Interval data (collected from Interval Meter) to be used in settlement • X – No settlement-will not be used under global aggregation
2	FLD	Connection System	1	Mandatory	A code that indicates the network to which the Meter Point is connected. This will take the following value: <ul style="list-style-type: none"> • NIE TD – NIE Networks Transmission and Distribution System
2	FLD	DUoS Group	1	Mandatory	This field will contain a code which denotes the current DUoS Tariff applied by NIE Networks to the Meter Point. <i>Refer to the Data Codes published by NIE Networks for a complete list of codes.</i>
2	FLD	Maximum Import Capacity	1	Optional See Description	The capacity in kVA agreed with the customer and permitted to be imported at a meter point, where a MIC applies
2	FLD	Load Factor	1	See Description	Not used in NI
2	FLD	Meter Configuration Code	1	See Description	A code that indicates the functionality delivered by the combination of registers

NI - Market Message Implementation Guide – Meter Registration

Segment and Field Level Identifier – 101 Message			Rpt	Optionality	Description and Purpose
					that is currently installed at a metered Meter Point. <i>Refer to the Data Codes published by NIE Networks for a complete list of codes.</i>
2	FLD	DLF (Distribution Loss Factor) Code	1	Mandatory	A code used to indicate the connection voltage on which loss factors are based. It will take one of the following values: <ul style="list-style-type: none"> • NIMV – Supply taken at less than 1000 volts • NIHV - Supply taken at 6600/11000 volts • NIEHV - Supply taken at 33000 volts
2	FLD	Transformer Loss Factor	1	See Description	Not used in NI
2	SEG	Customer Name	1	Mandatory	The customer name advised by the Supplier. See Common Data Segments for a description of individual data fields.
2	FLD	Change of Tenant / Legal Entity	1	Mandatory	A flag that will be set to the value provided by the Supplier
2	SEG	Customer Contact Details	1	See Description	The set of details enabling the customer to be contacted. These are returned if and as advised by the Supplier. See Common Data Segments for a description of individual data fields.
2	SEG	Notification Address	1	See Description	The address for correspondence with customers. These are returned if and as advised by the Supplier. See Common Data Segments for a description of individual data fields.
2	FLD	Contact Name (Technical)	1	See Description	This is the contact name of a person available for contacting for Technical purposes relating to the Meter Point where this is different to the Customer Contact. This field must be provided where Technical contact name details are being added or changed for an MPRN.
2	SEG	Technical Contact Details	1	See Description	This segment refers to the technical contact phone numbers for a technical representative.
3	FLD	Phone number 1	1	See Description	This is the principal phone number of a Technical contact
3	FLD	Phone Ext1	1	Optional	This is the principal phone number overflow field for storing number extensions where applicable
3	FLD	Phone number 2	1	Optional	This field can be used for the secondary phone number where this is required.
3	FLD	Phone Ext2	1	Optional	This is the secondary phone number overflow field for storing number extensions where applicable.
3	FLD	Fax	1	Optional	This field is intended to store a Fax telephone number where applicable
3	FLD	Fax Ext	1	Optional	This field is intended to store a Fax extension telephone number where applicable
3	FLD	Email	1	Optional	This field is intended to store electronic mail address details where applicable
2	SEG	Street Type Address (Technical)	1	See Description	Street type address provides details such as Street Name, House no etc. This segment is mandatory where a street type address is being provided or changed as part of Technical Contact details.
3	FLD	C/O Name	1	Optional	This is the name to which correspondence can be addressed where this is

NI - Market Message Implementation Guide – Meter Registration

Segment and Field Level Identifier – 101 Message			Rpt	Optionality	Description and Purpose
					different to the contact name.
3	FLD	Unit No.	1	Optional	This field can be used to populate information relating to the unit, flat or apartment number that can be part of an address
3	FLD	Addr Line 1	1	Optional	This field can be used as overflow for address details that apply before the street part of an address.
3	FLD	Addr Line 2	1	Optional	This field can be used as overflow for address details that apply before the street part of an address.
3	FLD	House No.	1	Optional	This can be used to populate the number of a premises given as part of an address
3	FLD	Street	1	Mandatory	This field stores information relating to the street part of an address
3	FLD	Addr Line 4	1	Optional	This field can be used as overflow for address details that apply after the street part of an address.
3	FLD	Addr Line 5	1	Optional	This field can be used as overflow for address details that apply after the street part of an address.
3	FLD	Post code	1	Optional	This is the postal or Zip code given as part of address where appropriate
3	FLD	City	1	Optional	Used to populate the details of which City an address resides in where appropriate
3	FLD	County - Ireland	1	See Description	A field denoting the county in Ireland in which an address resides.
3	FLD	County / State	1	Optional	This denotes the county in which an address is situated. This is a free text 40 character field for use in non – Irish Addresses.
3	FLD	Country	1	See Description	A field that makes up part of an address denoting in which country the address resides.
2	FLD	Medical Equipment Special Needs	1	See Description	A code indicating the type of medical equipment special needs that a customer has, returned if and as advised by the Supplier.
2	SEG	Customer Service Special Needs Details	0:N	See Description	This segment refers to the customer service special needs that a customer may have
3	FLD	Customer Service Special Needs	1	Mandatory	A code indicating the type of special requirement that a customer has, returned if and as advised by the Supplier
2	FLD	Maximum Export Capacity	1	See Description	The capacity in kVA currently agreed in the connection agreement and permitted to be exported at a meter point, provided only where a Generation Unit is being registered.
2	FLD	Read Frequency	1	See Description	A code provided for Non-Interval Meter Points indicating the frequency with which meter reading is scheduled. The code may take the following values: <ul style="list-style-type: none"> • M – Monthly Read • Q – Quarterly Read
2	FLD	Read Cycle Day	1	See Description	A code provided for Non-Interval Meter Points indicating when meter reading is scheduled: <ul style="list-style-type: none"> • For monthly read Meter Points the monthly cycle is identified.

NI - Market Message Implementation Guide – Meter Registration

Segment and Field Level Identifier – 101 Message			Rpt	Optionality	Description and Purpose
					<ul style="list-style-type: none"> For quarterly read Meter Points the week number will be identified.
2	FLD	Effective From Date	1	See Description	The effective date of the registration which will normally be the energisation date.
2	FLD	Load Profile	1	See Description	Load Profile is a code that determines, when coupled with Timeslot, the derived profile to be applied to the consumption for settlement. This will be provided for Non-Interval sites only and where available / determined at the time of sending this message.
2	FLD	Registration Receipt Date	1	Mandatory	The date on which NIE Networks received the originating 010 Registration Request message.
2	FLD	Keypad Premises Number	1	See Description	The new keypad Premises Number provided for keypad metered Non-Interval Meter Points

NI - Market Message Implementation Guide – Meter Registration

2.5.2 Message 101P: New Connection – Provisional Acceptance

Purpose and Description of Message

Message 101P is sent by NIE Networks to a Supplier to advise that a registration request has been provisionally accepted i.e. that there are some pre-conditions that must be met before a final acceptance can be sent.

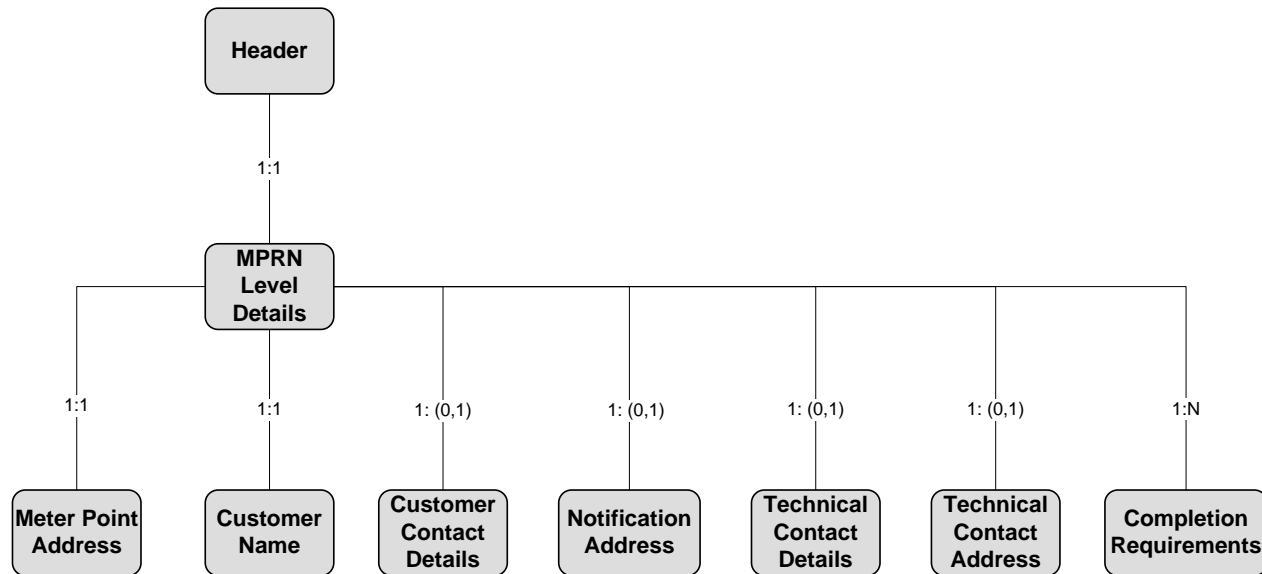
Message 101P is used in the following Market Processes:

Process Number and Title	Use of Message
MP NI 5 New Non-Interval Metered Connection	To provisionally accept a registration for a metered Non-Interval Meter Point as part of the new connection process
MP NI 6 New Interval Metered Connection	To provisionally accept a registration for a metered Interval Meter Point as part of the new connection process

NI - Market Message Implementation Guide – Meter Registration

Data Hierarchy Diagram

101P Message



Message Structure and Interpretation

Segment and Field Level Identifier – 101P Message			Rpt	Optionality	Description and Purpose
1	Message Header		1	Mandatory	<i>See Common Data Segments for detailed notes on structure and population.</i>
1	MPRN Level Information		1	Mandatory	
2	FLD	MPRN	1	Mandatory	The unique identifying reference number for the Meter Point for which the registration has been accepted
2	FLD	Market Participant Business Reference	1	Mandatory	A reference to the Market Participant Business Reference provided in the Message Header of the 010 message sent by the Supplier to NIE Networks. It enables the Supplier to uniquely identify the original message to which this is the response.
2	SEG	Meter Point Address	1	Mandatory	The address at which the Meter Point is connected that is currently held by NIE Networks. See Common Data Segments for a description of individual data fields.
2	FLD	Meter Point Status	1	Mandatory	The current connection status of the Meter Point. This will take the following value: <ul style="list-style-type: none"> • A – Meter Point is Assigned

NI - Market Message Implementation Guide – Meter Registration

Segment and Field Level Identifier – 101P Message			Rpt	Optionality	Description and Purpose
2	FLD	Supplier ID	1	See Description	The code identifying the Supplier to whom the Meter Point is to be registered.
2	FLD	Supplier Unit ID	1	Mandatory	The Supplier Unit, specified by the Supplier, to which demand will be aggregated under the Single Electricity Market
2	FLD	SSAC	1	Mandatory	The arrangement, requested by the Supplier.
2	FLD	Settlement Class	1	Mandatory	A code that specifies how data is to be processed and aggregated for Settlement. This will take one of the following values: <ul style="list-style-type: none"> • N – Synthetic profile to be used in settlement • P – Interval data (collected from Interval Meter) to be used in settlement • X – No settlement-will not be used under global aggregation
2	FLD	Connection System	1	Mandatory	A code that indicates the network to which the Meter Point is connected. This will take the following value: <ul style="list-style-type: none"> • NIE TD – NIE Networks Transmission and Distribution System
2	FLD	DUoS Group	1	Mandatory	This field will contain a code that denotes the current DUoS Tariff applied by NIE Networks to the Meter Point.
2	FLD	Maximum Import Capacity	1	See Description	The capacity in kVA agreed with the customer and permitted to be imported at a meter point, where an MIC applies
2	FLD	Load Factor	1	See Description	Not used in NI
2	FLD	Meter Configuration Code	1	See Description	A code that indicates the functionality delivered by the combination of registers that is requested at a metered Meter Point
2	FLD	DLF (Distribution Loss Factor) Code	1	Mandatory	A code used to indicate the connection voltage on which loss factors are based. It will take one of the following values: <ul style="list-style-type: none"> • NIMV – Supply taken at less than 1000 volts • NIHV - Supply taken at 6600/11000 volts • NIEHV - Supply taken at 33000 volts
2	FLD	Transformer Loss Factor	1	See Description	Not used in NI
2	SEG	Customer Name	1	Mandatory	The customer name advised by the Supplier. See Common Data Segments for a description of individual data fields.
2	FLD	Change of Tenant / Legal Entity	1	Mandatory	A flag that will be set to the value provided by the Supplier:
2	SEG	Customer Contact Details	1	See Description	The set of details enabling the customer to be contacted. These are returned if and as advised by the Supplier. See Common Data Segments for a description of individual data fields.
2	SEG	Notification Address	1	See Description	The address for correspondence with customers. These are returned if and as advised by the Supplier. See Common Data Segments for a description of individual data fields.

NI - Market Message Implementation Guide – Meter Registration

Segment and Field Level Identifier – 101P Message			Rpt	Optionality	Description and Purpose
2	FLD	Contact Name (Technical)	1	See Description	This is the contact name of a person available for contacting for Technical purposes relating to the Meter Point where this is different to the Customer Contact. This field must be provided where Technical contact name details are being added or changed for an MPRN.
2	SEG	Technical Contact Details	1	See Description	This segment refers to the technical contact phone numbers for a technical representative.
3	FLD	Phone number 1	1	See Description	This is the principal phone number of a Technical contact
3	FLD	Phone Ext1	1	Optional	This is the principal phone number overflow field for storing number extensions where applicable
3	FLD	Phone number 2	1	Optional	This field can be used for the secondary phone number where this is required.
3	FLD	Phone Ext2	1	Optional	This is the secondary phone number overflow field for storing number extensions where applicable.
3	FLD	Fax	1	Optional	This field is intended to store a Fax telephone number where applicable
3	FLD	Fax Ext	1	Optional	This field is intended to store a Fax extension telephone number where applicable
3	FLD	Email	1	Optional	This field is intended to store electronic mail address details where applicable
2	SEG	Street Type Address (Technical)	1	See Description	Street type address provides details such as Street Name, House no etc. This segment is mandatory where a street type address is being provided or changed as part of Technical Contact details.
3	FLD	C/O Name	1	Optional	This is the name to which correspondence can be addressed where this is different to the contact name.
3	FLD	Unit No.	1	Optional	This field can be used to populate information relating to the unit, flat or apartment number that can be part of an address
3	FLD	Addr Line 1	1	Optional	This field can be used as overflow for address details that apply before the street part of an address.
3	FLD	Addr Line 2	1	Optional	This field can be used as overflow for address details that apply before the street part of an address.
3	FLD	House No.	1	Optional	This can be used to populate the number of a premises given as part of an address
3	FLD	Street	1	Mandatory	This field stores information relating to the street part of an address
3	FLD	Addr Line 4	1	Optional	This field can be used as overflow for address details that apply after the street part of an address.
3	FLD	Addr Line 5	1	Optional	This field can be used as overflow for address details that apply after the street part of an address.
3	FLD	Post code	1	Optional	This is the postal or Zip code given as part of address where appropriate
3	FLD	City	1	Optional	Used to populate the details of which City an address resides in where appropriate

NI - Market Message Implementation Guide – Meter Registration

Segment and Field Level Identifier – 101P Message			Rpt	Optionality	Description and Purpose
3	FLD	County - Ireland	1	See Description	A field denoting the county in Ireland in which an address resides.
3	FLD	County / State	1	Optional	This denotes the county in which an address is situated. This is a free text 40 character field for use in non – Irish Addresses.
3	FLD	Country	1	See Description	A field that makes up part of an address denoting in which country the address resides.
2	FLD	Maximum Export Capacity	1	See Description	The capacity in kVA currently agreed in the connection agreement and permitted to be exported at a meter point, provided only where a Generation Unit is being registered.
2	FLD	Read Frequency	1	See Description	A code provided for Non-Interval Meter Points indicating the frequency with which meter reading is scheduled. The code may take the following values: <ul style="list-style-type: none"> • M – Monthly Read • Q – Quarterly Read
2	FLD	Read Cycle Day	1	See Description	A code provided for Non-Interval Meter Points indicating when meter reading is scheduled: <ul style="list-style-type: none"> • For monthly read Meter Points the monthly cycle is identified. • For quarterly read Meter Points the week number will be identified with a default day number.
2	FLD	Load Profile	1	See Description	Load Profile is a code that determines, when coupled with Timeslot, the derived profile to be applied to the consumption for settlement.
2	FLD	Registration Receipt Date	1	Mandatory	The date on which NIE Networks received the originating 010 Registration Request message.
2	SEG	Provisional Acceptance Completion Requirements	1..N	See Description	This segment is provided where a completion requirement exists. An instance of this segment is provided for each Provisional Acceptance completion requirement notified.
3	FLD	Provisional Acceptance Completion Requirement Code	1	See Description	The code advises the reason for provisional acceptance and takes the following possible values and more than one code may be present: <ul style="list-style-type: none"> • CAA – Connection Agreement is awaited • ENA – Energisation is Awaited

NI - Market Message Implementation Guide – Meter Registration

2.5.3 Message 101R: New Registration Rejection

Purpose and Description of Message

Message 101R is sent by NIE Networks to a Supplier to advise that a registration request has been rejected.

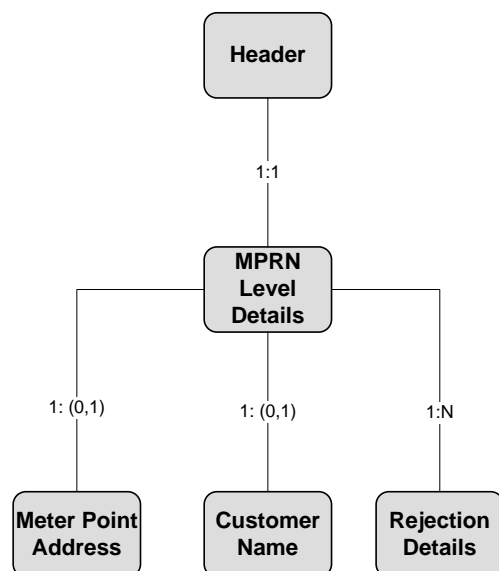
Message 101R is used in the following Market Processes:

Process Number and Title	Use of Message
MP NI 5 New Non-Interval Metered Connection	To reject a registration for a metered Non-Interval Meter Point as part of the new connection process
MP NI 6 New Interval Metered Connection	To reject a registration for a metered Interval Meter Point as part of the new connection process

NI - Market Message Implementation Guide – Meter Registration

Data Hierarchy Diagram

101R Message



Message Structure and Interpretation

Segment and Field Level Identifier – 101R Message			Rpt	Optionality	Description and Purpose
1	Message Header		1	Mandatory	<i>See Common Data Segments for detailed notes on structure and population.</i>
1	MPRN Level Information		1	Mandatory	
2	FLD	MPRN	1	Mandatory	The unique identifying reference number for the Meter Point for which a Registration Request is rejected
2	FLD	Market Participant Business Reference	1	Mandatory	A reference to the Market Participant Business Reference provided in the Message Header of the 010 message sent by the Supplier. It enables the Supplier to uniquely identify the original message to which this is the response.
2	SEG	Meter Point Address	1	See Description	The address at which the Meter Point is connected that is currently held by NIE Networks. See Common Data Segments for a description of individual data fields.
2	FLD	Supplier Unit ID	1	Optional	The Supplier Unit, specified by the Supplier, to which demand will be aggregated under the Single Electricity Market
2	FLD	SSAC	1	See Description	The SSAC as provided by the Supplier

NI - Market Message Implementation Guide – Meter Registration

Segment and Field Level Identifier – 101R Message			Rpt	Optionality	Description and Purpose
2	FLD	Supply Agreement Flag	1	See Description	The Supply Agreement Flag as provided by the Supplier
2	SEG	Customer Name	1	See Description	The Customer Name as provided by the Supplier. See Common Data Segments for a description of individual data fields.
2	FLD	Registration Receipt Date	1	Mandatory	The date on which NIE Networks received the originating 010 Registration Request message.
2	SEG	Rejection Details	1..N	Mandatory	An instance of this segment is provided for each rejection reason provided.
3	FLD	Reject Reason	1	Mandatory	<p>A code to identify why data was rejected</p> <ul style="list-style-type: none"> • AMM – The Meter Point Address on the message does not match that held by NIE Networks for the MPRN • IMS – The MPRN status is not Assigned • ITF – The requested Tariff Configuration Code is not valid for the Supplier or meter configuration • NSA – The Supplier has not warranted that a Supply Agreement exists • RP – Another Supplier has submitted a registration for this MPRN • SNK – The Supplier ID is not known • SUS – Supplier Unit invalid for Supplier and/or SSAC is invalid for the Supplier Unit • IID – Invalid/Incomplete data • IID – Customer Name details provided contained a mixture of Person and Organisation fields • IID – No Customer Name is populated • IID – SSAC is incorrect in market message (SUS is also used in this scenario)

NI - Market Message Implementation Guide – Meter Registration

2.5.4 Message 102: Change of Supplier Registration Acceptance

Purpose and Description of Message

Message 102 is sent by NIE Networks to a New Supplier to advise that their registration request has been accepted. The message does not indicate that the Change of Supplier has taken place; this is indicated by message 105 and typically requires other triggers such as the required date to be reached or readings to be obtained.

Message 102 contains information that is provided by the Supplier to NIE Networks plus other information about the Meter Point that a Supplier will typically need to know.

Message 102 is used in the following Market Processes:

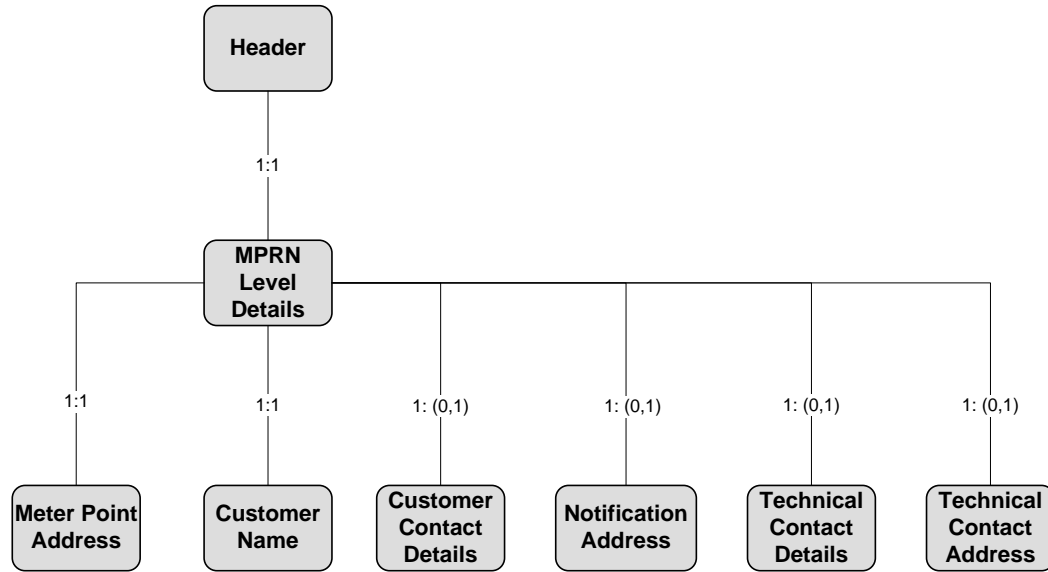
Process Number and Title	Use of Message
MP NI 1 Change of Supplier – Non-Interval Metered	To accept a registration for a credit metered Non-Interval Meter Point currently registered to another Supplier
MP NI 2 Change of Supplier –Interval Metered	To accept a registration for an Interval Meter Point currently registered to another Supplier
MP NI 37 Change of Supplier - Keypad	To accept a registration for a keypad metered Meter Point registered to another supplier

If message 102P has been previously sent, message 102 provides a complete refresh of data, including data previously sent using message 102P.

NI - Market Message Implementation Guide – Meter Registration

Data Hierarchy Diagram

102 Message



NI - Market Message Implementation Guide – Meter Registration

Message Structure and Interpretation

Segment and Field Level Identifier – 102 Message			Rpt	Optionality	Description and Purpose
1 Message Header			1	Mandatory	<i>See Common Data Segments for detailed notes on structure and population.</i>
1 MPRN Level Information			1	Mandatory	
2	FLD	MPRN	1	Mandatory	The unique identifying reference number for the Meter Point for which the registration has been accepted
2	FLD	Market Participant Business Reference	1	Mandatory	A reference to the Market Participant Business Reference provided in the Message Header of the 010 message sent by the Supplier to NIE Networks. It enables the Supplier to uniquely identify the original message to which this is the response.
2	SEG	Meter Point Address	1	Mandatory	The address at which the Meter Point is connected that is currently held by NIE Networks. See Common Data Segments for a description of individual data fields.
2	FLD	Meter Point Status	1	Mandatory	The current connection status of the Meter Point. This will take one of the following values: <ul style="list-style-type: none"> • D – Meter Point is De-Energised • E – Meter Point is Energised
2	FLD	Supplier Unit ID	1	Mandatory	The Supplier Unit, specified by the Supplier, to which demand will be aggregated under the Single Electricity Market
2	FLD	SSAC	1	Mandatory	The arrangement, requested by the Supplier,
2	FLD	Settlement Class	1	Mandatory	A code that specifies how data will be processed and aggregated for Settlement following completion of the Change of Supplier. This will take one of the following values: <ul style="list-style-type: none"> • N – Synthetic profile to be used in settlement • P – Interval data (collected from Interval Meter) to be used in settlement • X – No settlement-will not be used under global aggregation
2	FLD	Connection System	1	Mandatory	A code that indicates the network to which the Meter Point is connected. This will take the following value: <ul style="list-style-type: none"> • NIE TD – NIE Networks Transmission and Distribution System
2	FLD	DUoS Group	1	Mandatory	This field will contain a code that denotes the current DUoS Tariff applied by NIE Networks to the Meter Point.
2	FLD	Maximum Import Capacity	1	Mandatory	The capacity in kVA agreed with the customer and permitted to be imported at a meter point, where an MIC applies
2	FLD	Load Profile	1	See Description	A code that, when coupled with Timeslot, determines the Standard Profile that is currently used in estimating consumption at a meter register for billing and aggregation purposes.

NI - Market Message Implementation Guide – Meter Registration

Segment and Field Level Identifier – 102 Message			Rpt	Optionality	Description and Purpose
					Not provided for Interval meter points.
2	FLD	Load Factor	1	See Description	Not used in NI
2	FLD	Meter Configuration Code	1	See Description	A code that indicates the functionality delivered by the combination of registers that is currently installed at a metered Meter Point.
2	FLD	DLF (Distribution Loss Factor) Code	1	Mandatory	A code used to indicate the connection voltage on which loss factors are based. It will take one of the following values: <ul style="list-style-type: none"> • NIMV – Supply taken at less than 1000 volts • NIHV - Supply taken at 6600/11000 volts • NIEHV - Supply taken at 33000 volts
2	FLD	Transformer Loss Factor	1	See Description	Not used in NI
2	SEG	Customer Name	1	Mandatory	The customer name advised by the Supplier. See Common Data Segments for a description of individual data fields.
2	FLD	Change of Tenant / Legal Entity	1	Mandatory	A flag that will be set to the value provided by the New Supplier
2	SEG	Customer Contact Details	1	See Description	The set of details enabling the customer to be contacted. These are returned if and as advised by the Supplier. See Common Data Segments for a description of individual data fields.
2	SEG	Notification Address	1	See Description	The address for correspondence with customers. These are returned if and as advised by the Supplier. See Common Data Segments for a description of individual data fields.
2	FLD	Contact Name (Technical)	1	See Description	This is the contact name of a person available for contacting for Technical purposes relating to the Meter Point where this is different to the Customer Contact. This field must be provided where Technical contact name details are being added or changed for an MPRN.
2	SEG	Technical Contact Details	1	See Description	This segment refers to the technical contact phone numbers for a technical representative.
3	FLD	Phone number 1	1	See Description	This is the principal phone number of a Technical contact
3	FLD	Phone Ext1	1	Optional	This is the principal phone number overflow field for storing number extensions where applicable
3	FLD	Phone number 2	1	Optional	This field can be used for the secondary phone number where this is required.
3	FLD	Phone Ext2	1	Optional	This is the secondary phone number overflow field for storing number extensions where applicable.
3	FLD	Fax	1	Optional	This field is intended to store a Fax telephone number where applicable
3	FLD	Fax Ext	1	Optional	This field is intended to store a Fax extension telephone number where applicable
3	FLD	Email	1	Optional	This field is intended to store electronic mail address details where applicable
2	SEG	Street Type Address (Technical)	1	See Description	Street type address provides details such as Street Name, House no etc. This

NI - Market Message Implementation Guide – Meter Registration

Segment and Field Level Identifier – 102 Message			Rpt	Optionality	Description and Purpose
					segment is mandatory where a street type address is being provided or changed as part of Technical Contact details.
3	FLD	C/O Name	1	Optional	This is the name to which correspondence can be addressed where this is different to the contact name.
3	FLD	Unit No.	1	Optional	This field can be used to populate information relating to the unit, flat or apartment number that can be part of an address
3	FLD	Addr Line 1	1	Optional	This field can be used as overflow for address details that apply before the street part of an address.
3	FLD	Addr Line 2	1	Optional	This field can be used as overflow for address details that apply before the street part of an address.
3	FLD	House No.	1	Optional	This can be used to populate the number of a premises given as part of an address
3	FLD	Street	1	Mandatory	This field stores information relating to the street part of an address
3	FLD	Addr Line 4	1	Optional	This field can be used as overflow for address details that apply after the street part of an address.
3	FLD	Addr Line 5	1	Optional	This field can be used as overflow for address details that apply after the street part of an address.
3	FLD	Post code	1	Optional	This is the postal or Zip code given as part of address where appropriate
3	FLD	City	1	Optional	Used to populate the details of which City an address resides in where appropriate
3	FLD	County - Ireland	1	See Description	A field denoting the county in Ireland in which an address resides.
3	FLD	County / State	1	Optional	This denotes the county in which an address is situated. This is a free text 40 character field for use in non – Irish Addresses.
3	FLD	Country	1	See Description	A field that makes up part of an address denoting in which country the address resides.
2	FLD	Maximum Export Capacity	1	See Description	The capacity in kVA currently agreed in the connection agreement and permitted to be exported at a meter point, provided only where a Generation Unit is being registered.
2	FLD	Read Frequency	1	See Description	A code provided for Non-Interval Meter Points indicating the frequency with which meter reading is scheduled. The code may take the following values: <ul style="list-style-type: none"> • M – Monthly Read • Q – Quarterly Read
2	FLD	Read Cycle Day	1	See Description	A code provided for Non-Interval Meter Points indicating when meter reading is scheduled: <ul style="list-style-type: none"> • For monthly read Meter Points the monthly cycle is identified. • For quarterly read Meter Points the week and day number will be identified.
2	FLD	Last Actual Read Date	1	See Description	The date on which a plausible read was last obtained for a Meter Point. Provided for Non-Interval Meter Points only.

NI - Market Message Implementation Guide – Meter Registration

Segment and Field Level Identifier – 102 Message			Rpt	Optionality	Description and Purpose
2	FLD	VC Attribute Deleted	1	Optional	Not used in NI
2	FLD	Change of Supplier Read Arrangement	1	See Description	A code that indicates the type of read to be used at a Change of Supplier for a Non-Interval metered customer. The value originally provided by the Supplier may be modified by NIE Networks. Provided for Non-Interval Meter Points only.
2	FLD	Change of Supplier Estimate Acceptable	1	Optional	This field will be returned as populated by the Supplier on the originating Registration Request message.
2	FLD	Meter Configuration Code (Required)	1	See Description	The code requested by the Supplier on 010 to obtain a change to the functionality delivered by the metering installed at a Meter Point.
2	FLD	Read Reason	1	See Description	A code that is provided only if a Special Read has been required to indicate that the Special Read is chargeable. If so, the value is set to: <ul style="list-style-type: none"> • 02 – denoting a chargeable Special Read
2	FLD	Required Date	1	See Description	The date requested by the Supplier for the Change of Supplier.
2	FLD	Registration Receipt Date	1	Mandatory	The date on which NIE Networks received the originating Registration Request message.

NI - Market Message Implementation Guide – Meter Registration

2.5.5 Message 102P: Change of Supplier Registration Provisional Acceptance

Purpose and Description of Message

Message 102P is sent by NIE Networks to a New Supplier to advise that their registration request has been provisionally accepted, i.e. that there are some pre-conditions that must be met before a final acceptance can be sent.

The message does not indicate that the Change of Supplier has taken place; this is indicated by message 105 and typically requires other triggers such as the required date to be reached or readings to be obtained.

Message 102P contains information that is provided by the Supplier to NIE Networks plus other information about the Meter Point that a Supplier will typically need to know.

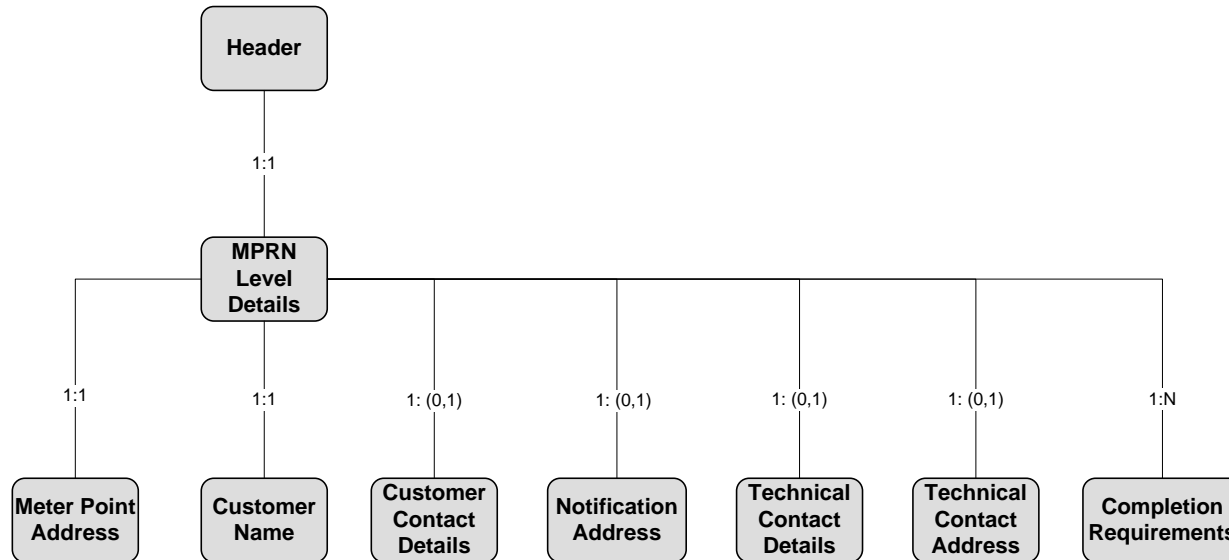
Message 102P is used in the following Market Processes:

Process Number and Title	Use of Message
MP NI 1 Change of Supplier – Non-Interval Metered	To provisionally accept a registration for a credit metered Non-Interval Meter Point currently registered to another Supplier
MP NI 2 Change of Supplier –Interval Metered	To provisionally accept a registration for an Interval Meter Point currently registered to another Supplier
MP NI 37 Change of Supplier - Keypad	To provisionally accept a registration for a keypad metered Meter Point registered to another supplier

NI - Market Message Implementation Guide – Meter Registration

Data Hierarchy Diagram

102P Message



Message Structure and Interpretation

Segment and Field Level Identifier – 102P Message			Rpt	Optionality	Description and Purpose
1	Message Header		1	Mandatory	See Common Data Segments for detailed notes on structure and population.
1	MPRN Level Information		1	Mandatory	
2	FLD	MPRN	1	Mandatory	The unique identifying reference number for the Meter Point for which the registration has been accepted
2	FLD	Market Participant Business Reference	1	Mandatory	A reference to the Market Participant Business Reference provided in the Message Header of the 010 message sent by the Supplier to NIE Networks. It enables the Supplier to uniquely identify the original message to which this is the response.
2	SEG	Meter Point Address	1	Mandatory	The address at which the Meter Point is connected that is currently held by NIE Networks. See Common Data Segments for a description of individual data fields.
2	FLD	Meter Point Status	1	Mandatory	The current connection status of the Meter Point. This will take one of the

NI - Market Message Implementation Guide – Meter Registration

Segment and Field Level Identifier – 102P Message			Rpt	Optionality	Description and Purpose
					following values: <ul style="list-style-type: none"> • D – Meter Point is De-Energised • E – Meter Point is Energised
2	FLD	Supplier Unit ID	1	Mandatory	The Supplier Unit, specified by the Supplier, to which demand will be aggregated under the Single Electricity Market
2	FLD	SSAC	1	Mandatory	The arrangement, requested by the Supplier
2	FLD	Settlement Class	1	Mandatory	A code that specifies how data will be processed and aggregated for Settlement following completion of the Change of Supplier. This will take one of the following values: <ul style="list-style-type: none"> • N – Synthetic profile to be used in settlement • P – Interval data (collected from Interval Meter) to be used in settlement • X – No settlement, will not be used under global aggregation
2	FLD	Connection System (Code)	1	Mandatory	A code that indicates the network to which the Meter Point is connected. This will take the following value: <ul style="list-style-type: none"> • NIE TD – NIE Networks Transmission and Distribution System
2	FLD	DUoS Group	1	Mandatory	This field will contain a code that denotes the current DUoS Tariff applied by NIE Networks to the Meter Point.
2	FLD	Maximum Import Capacity	1	See Description	The capacity in kVA agreed with the customer and permitted to be imported at a meter point, where an MIC applies
2	FLD	Load Profile	1	See Description	A code that, when coupled with Timeslot, determines the Standard Profile that is currently used in estimating consumption at a meter register for billing and aggregation purposes. Not provided for Interval meter points.
2	FLD	Load Factor	1	See Description	Not used in NI
2	FLD	Meter Configuration Code	1	See Description	A code that indicates the functionality delivered by the combination of registers that is currently installed at a metered Meter Point.
2	FLD	DLF (Distribution Loss Factor) Code	1	Optional	A code used to indicate the connection voltage on which loss factors are based. It will take one of the following values: <ul style="list-style-type: none"> • NIMV – Supply taken at less than 1000 volts • NIHV - Supply taken at 6600/11000 volts • NIEHV - Supply taken at 33000 volts
2	FLD	Transformer Loss Factor	1	See Description	Not used in NI
2	SEG	Customer Name	1	Mandatory	The customer name advised by the Supplier. See Common Data Segments for a description of individual data fields.
2	FLD	Change of Tenant / Legal Entity	1	Mandatory	A flag that will be set to the value provided by the New Supplier
2	SEG	Customer Contact Details	1	See Description	The set of details enabling the customer to be contacted. These are returned

NI - Market Message Implementation Guide – Meter Registration

Segment and Field Level Identifier – 102P Message			Rpt	Optionality	Description and Purpose	
					if and as advised by the Supplier. See Common Data Segments for a description of individual data fields.	
2	SEG	Notification Address		1	See Description	The address for correspondence with customers. These are returned if and as advised by the Supplier. See Common Data Segments for a description of individual data fields.
2	FLD	Contact Name (Technical)		1	See Description	This is the contact name of a person available for contacting for Technical purposes relating to the Meter Point where this is different to the Customer Contact. This field must be provided where Technical contact name details are being added or changed for an MPRN.
2	SEG	Technical Contact Details		1	See Description	This segment refers to the technical contact phone numbers for a technical representative.
	3	FLD	Phone number 1	1	See Description	This is the principal phone number of a Technical contact.
	3	FLD	Phone Ext1	1	See Description	This is the principal phone number overflow field for storing number extensions where applicable
	3	FLD	Phone number 2	1	Optional	This field can be used for the secondary phone number where this is required.
	3	FLD	Phone Ext2	1	Optional	This is the secondary phone number overflow field for storing number extensions where applicable.
	3	FLD	Fax	1	Optional	This field is intended to store a Fax telephone number where applicable
	3	FLD	Fax Ext	1	Optional	This field is intended to store a Fax extension telephone number where applicable
	3	FLD	Email	1	Optional	This field is intended to store electronic mail address details where applicable
2	SEG	Street Type Address (Technical)		1	See Description	Street type address provides details such as Street Name, House no etc. This segment is mandatory where a street type address is being provided or changed as part of Technical Contact details.
	3	FLD	C/O Name	1	Optional	This is the name to which correspondence can be addressed where this is different to the contact name.
	3	FLD	Unit No.	1	Optional	This field can be used to populate information relating to the unit, flat or apartment number that can be part of an address
	3	FLD	Addr Line 1	1	Optional	This field can be used as overflow for address details that apply before the street part of an address.
	3	FLD	Addr Line 2	1	Optional	This field can be used as overflow for address details that apply before the street part of an address.
	3	FLD	House No.	1	Optional	This can be used to populate the number of a premises given as part of an address
	3	FLD	Street	1	Mandatory	This field stores information relating to the street part of an address
	3	FLD	Addr Line 4	1	Optional	This field can be used as overflow for address details that apply after the street part of an address.

NI - Market Message Implementation Guide – Meter Registration

Segment and Field Level Identifier – 102P Message			Rpt	Optionality	Description and Purpose
3	FLD	Addr Line 5	1	Optional	This field can be used as overflow for address details that apply after the street part of an address.
3	FLD	Post code	1	Optional	This is the postal or Zip code given as part of address where appropriate
3	FLD	City	1	Optional	Used to populate the details of which City an address resides in where appropriate
3	FLD	County - Ireland	1	See Description	A field denoting the county in Ireland in which an address resides.
3	FLD	County / State	1	Optional	This denotes the county in which an address is situated. This is a free text 40 character field for use in non – Irish Addresses.
3	FLD	Country	1	See Description	A field that makes up part of an address denoting in which country the address resides.
2	FLD	Maximum Export Capacity	1	See Description	The capacity in kVA currently agreed in the connection agreement and permitted to be exported at a meter point, provided only where a Generation Unit is being registered.
2	FLD	Read Frequency	1	See Description	A code provided for Non-Interval Meter Points indicating the frequency with which meter reading is scheduled. The code may take the following values: <ul style="list-style-type: none"> • M – Monthly Read • Q – Quarterly Read
2	FLD	Read Cycle Day	1	See Description	A code provided for Non-Interval Meter Points indicating when meter reading is scheduled: <ul style="list-style-type: none"> • For monthly read Meter Points the monthly cycle is identified. • For quarterly read Meter Points the week and day number will be identified.
2	FLD	Last Actual Read Date	1	See Description	The date on which a plausible read was last obtained for a Meter Point. Provided for Non-Interval Meter Points only.
2	FLD	Change of Supplier Read Arrangement	1	See Description	A code that indicates the type of read to be used at a Change of Supplier for a Non-Interval metered customer. The value originally provided by the Supplier may be modified by NIE Networks. Provided for Non-Interval Meter Points only.
2	FLD	Change of Supplier Estimate Acceptable	1	Optional	This field will be returned as populated by the Supplier on the originating Registration Request message.
2	FLD	Meter Configuration Code (Required)	1	See Description	The code requested by the Supplier on 010 to obtain a change to the functionality delivered by the metering installed at a Meter Point.
2	FLD	Read Reason	1	See Description	A code that is provided only if a Special Read has been required to indicate that the Special Read is chargeable. If so, the value is set to: <ul style="list-style-type: none"> • 02 – denoting a chargeable Special Read
2	FLD	Required Date	1	See Description	The date requested by the Supplier for the Change of Supplier.
2	FLD	Registration Receipt Date	1	Mandatory	The date on which NIE Networks received the originating 010 Registration Request message.

NI - Market Message Implementation Guide – Meter Registration

Segment and Field Level Identifier – 102P Message			Rpt	Optionality	Description and Purpose
2	SEG	Provisional Acceptance Completion Requirements	1..N	See Description	An instance of this segment is provided for each Provisional Acceptance completion requirement notified. At least one completion requirement will be specified.
3	FLD	Provisional Acceptance Completion Requirement Code	1	See Description	The code advises the reason for provisional acceptance and takes the following possible values and more than one code may be present: <ul style="list-style-type: none"> • CAA – Connection Agreement is awaited • ENA – Energisation is Awaited • CCR – Connection Card Required

NI - Market Message Implementation Guide – Meter Registration

2.5.6 Message 102R: Change of Supplier – Registration Rejection

Purpose and Description of Message

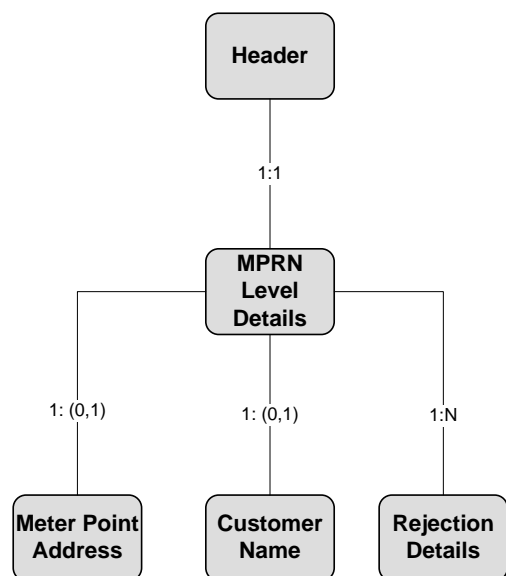
Message 102R is sent by NIE Networks to a New Supplier to advise that a registration request has been rejected.

Message 102R is used in the following Market Processes:

Process Number and Title	Use of Message
MP NI 1 Change of Supplier – Non-Interval Metered	To reject a registration for a credit metered Non-Interval Meter Point currently registered to another Supplier
MP NI 2 Change of Supplier –Interval Metered	To reject a registration for an Interval Meter Point currently registered to another Supplier
MP NI 37 Change of Supplier - Keypad	To reject a registration for a keypad metered Meter Point registered to another supplier

Data Hierarchy Diagram

102R Message



NI - Market Message Implementation Guide – Meter Registration

Message Structure and Interpretation

Segment and Field Level Identifier – 102R Message			Rpt	Optionality	Description and Purpose
1 Message Header			1	Mandatory	<i>See Common Data Segments for detailed notes on structure and population.</i>
1 MPRN Level Information			1	Mandatory	
2	FLD	MPRN	1	Mandatory	The unique identifying reference number for the Meter Point for which a Registration Request is rejected
2	FLD	Market Participant Business Reference	1	Mandatory	A reference to the Market Participant Business Reference provided on the 010 message sent by the Supplier. It enables the Supplier to uniquely identify the original message to which this is the response.
2	SEG	Meter Point Address	1	See Description	The address at which the Meter Point is connected that is currently held by NIE Networks. See Common Data Segments for a description of individual data fields.
2	FLD	Supplier Unit ID	1	Optional	The Supplier Unit, specified by the Supplier, to which demand will be aggregated under the Single Electricity Market
2	FLD	SSAC	1	See Description	The SSAC as provided by the Supplier
2	FLD	Supply Agreement Flag	1	See Description	The Supply Agreement Flag as provided by the Supplier
2	SEG	Customer Name	1	See Description	The Customer Name as provided by the Supplier. See Common Data Segments for a description of individual data fields.
2	FLD	Change of Supplier Read Arrangement	1	See Description	The Change of Supplier Read Arrangement if and as requested by the Supplier
2	FLD	Change of Supplier Estimate Acceptable	1	See Description	The Change of Supplier Estimate Acceptable Flag if and as provided by the Supplier
2	FLD	Meter Configuration Code	1	See Description	The Meter Configuration Code if and as required by the Supplier
2	FLD	Required Date	1	See Description	The Required Date where requested by the Supplier for the Change of Supplier.
2	FLD	Registration Receipt Date	1	Mandatory	The date on which NIE Networks received the originating 010 Registration Request message.
2	FLD	Effective From Date of Last Change of Supplier	1	Optional	The date that the last CoS came into effect if the CoS effective date was less than 20 days. Mandatory where the rejection reason is CoS and the CoS was completed less than 20 days before the required date of the CoS
2	SEG	Rejection Details	1..N	Mandatory	An instance of this segment is provided for each rejection reason provided.
3	FLD	Reject Reason	1	Mandatory	A code to identify why data was rejected <ul style="list-style-type: none"> • AMM – The Meter Point Address on the message does not match that held by NIE Networks for the MPRN • CIP – Another registration is being processed for this MPRN • COS – The last registration start date was effective less than 20 days before receipt of this registration message • EXA – Request not received within one hour of appointment booking

NI - Market Message Implementation Guide – Meter Registration

Segment and Field Level Identifier – 102R Message	Rpt	Optionality	Description and Purpose
			<ul style="list-style-type: none"> • IAI – Invalid Appointment ID • IDT – The Required Date on registration message does not satisfy one or more of the following validation rules specified in MP NI 1 & 2 for registration processing: <ul style="list-style-type: none"> (i) The Required Date is more than 15 days after the Registration Receipt Date (ii) A Scheduled Read was requested but is not due within 15 days after the Registration Receipt Date (iii) The Required Date is less than three days after the Registration Receipt Date for an existing Interval meter (iv) The Required Date is more than 12 days prior to the Registration Receipt Date and a CoS Reading was provided for a Residential Credit Metered Site (v) The Required Date is more than two days prior to the Registration Receipt Date and a CoS Reading was provided for a Commercial Metered Site (vi) The Required Date is retrospective and case (iv) does not apply (vii) Insufficient notice was provided (viii) The required date is not provided and a read has been provided (ix) The required date is not provided, fieldwork is required and the appointment date is greater than D+15 • IMF – <ul style="list-style-type: none"> (i) The CoS Read Arrangement is ‘MC’ and the requested Meter Configuration Code is not valid for the Supplier or Meter Point characteristics or was not provided; or (ii) Meter Works Type failed validation • IMP -The MPRN does not exist • IMS – The MPRN status is not, Energised or De-energised. • IMW – Invalid Meter Works Type Code • IRA – The CoS Read Arrangement on registration message does not satisfy one or more of the following validation rules specified in MP NI 1 & 2 for registration processing: <ul style="list-style-type: none"> (i) The CoS Read Arrangement specified on registration does not exist; or (ii) A CoS Read Arrangement should be specified on registration but was not specified • ITF – The requested Tariff Configuration Code is not valid for the Supplier or meter configuration

NI - Market Message Implementation Guide – Meter Registration

Segment and Field Level Identifier – 102R Message			Rpt	Optionality	Description and Purpose
					<ul style="list-style-type: none"> • NID – No Appointment ID • NSA – The Supplier has not warranted that a Supply Agreement exists • SAR – The Supplier submitting the registration is already registered to this MPRN • SNK – The Supplier ID is not known • SUS – Supplier Unit invalid for Supplier and/or SSAC is invalid for the Supplier Unit • IID – Invalid/Incomplete data • IID – The Receipt Date is inside the 10 working day cooling off period • IID – The 010 is outside the six week customer agreement window

NI - Market Message Implementation Guide – Meter Registration

2.5.7 Message 105: Change of Supplier Confirmation (New Supplier)

Purpose and Description of Message

Message 105 is sent by NIE Networks to a New Supplier to advise that a Change of Supplier has been completed. Typically this will occur when:

- The registration has been accepted
- Two days have elapsed from the notification to the Old Supplier
- Any conditions giving rise to a provisional acceptance have been cleared
- For Keypad metered Meter Points, the retained credit process is completed and the Keypad Transaction System has reported completion.
- For Non-Interval metered Meter Points, valid Change of Supplier readings have been obtained.

Message 105 is used in the following Market Processes:

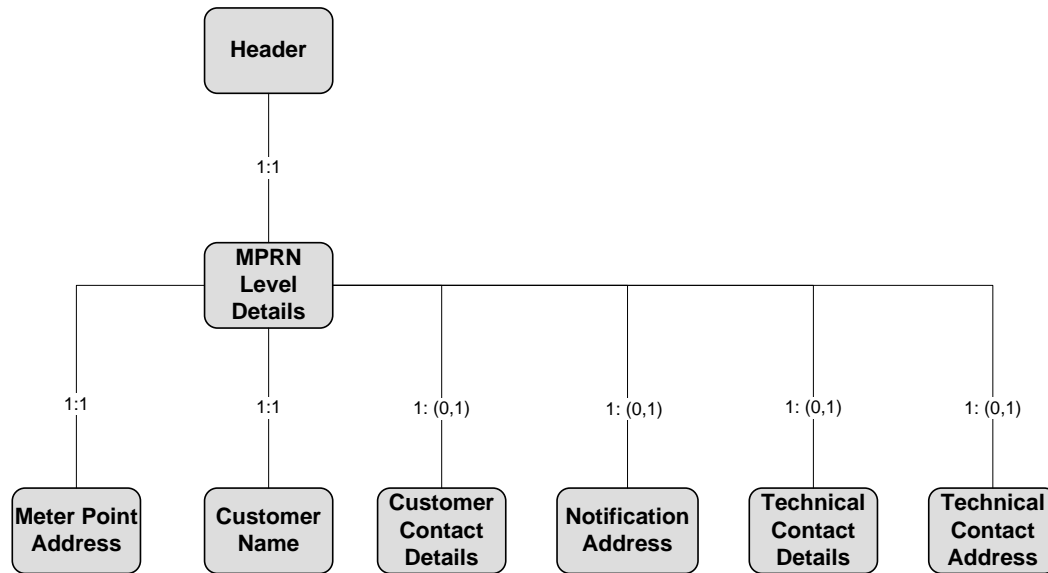
Process Number and Title	Use of Message
MP NI 1 Change of Supplier – Non-Interval Metered	To confirm registration of a credit metered Non-Interval Meter Point currently registered to another Supplier
MP NI 2 Change of Supplier –Interval Metered	To confirm registration of an Interval Meter Point currently registered to another Supplier
MP NI 4 Supplier of Last Resort	To confirm registration of a Meter point as part of an Supplier of Last Resort event
MP NI 37 Change of Supplier - Keypad	To confirm registration of a keypad metered Meter Point registered to another supplier

Message 105 provides a complete refresh of data, including data previously sent using message 102.

NI - Market Message Implementation Guide – Meter Registration

Data Hierarchy Diagram

105 Message



Message Structure and Interpretation

Segment and Field Level Identifier – 105 Message			Rpt	Optionality	Description and Purpose
1		Message Header	1	Mandatory	<i>See Common Data Segments for detailed notes on structure and population.</i>
1		MPRN Level Information	1	Mandatory	
2	FLD	MPRN	1	Mandatory	The unique identifying reference number for the Meter Point for which the registration is confirmed as completed.
2	FLD	Market Participant Business Reference	1	See Description	A reference to the Market Participant Business Reference provided in the Message Header of the 010 message sent by the Supplier to NIE Networks. It enables the Supplier to uniquely identify the original message to which this is the response. Will not be populated when registering to a Supplier of Last Resort.
2	SEG	Meter Point Address	1	Mandatory	The address at which the Meter Point is connected that is currently held by NIE Networks. See Common Data Segments for a description of individual data fields.

NI - Market Message Implementation Guide – Meter Registration

Segment and Field Level Identifier – 105 Message			Rpt	Optionality	Description and Purpose
2	FLD	Meter Point Status	1	Mandatory	The connection status of the Meter Point. This will be: <ul style="list-style-type: none"> • E – Meter Point is Energised
2	FLD	Supplier ID	1	Mandatory	The Supplier to whom the Meter Point will be registered.
2	FLD	Supplier Unit ID	1	Mandatory	The Supplier Unit, specified by the Supplier, to which demand will be aggregated under the Single Electricity Market
2	FLD	SSAC	1	Mandatory	The arrangement, requested by the Supplier
2	FLD	Settlement Class	1	Mandatory	A code that specifies how data is to be processed and aggregated for Settlement. This will take one of the following values: <ul style="list-style-type: none"> • N – Synthetic profile to be used in settlement • P – Interval data (collected from Interval Meter) to be used in settlement • X – No settlement, will not be used under global aggregation
2	FLD	Connection System	1	Mandatory	A code that indicates the network to which the Meter Point is connected. This will take the following value: <ul style="list-style-type: none"> • NIE TD – NIE Networks Transmission and Distribution System
2	FLD	DUoS Group	1	Mandatory	This field will contain a code which denotes the DUoS Tariff applied by NIE Networks to the Meter Point following the Change of Supplier.
2	FLD	Maximum Import Capacity	1	See Description	The capacity in kVA agreed with the customer and permitted to be imported at a meter point, where an MIC applies
2	FLD	Meter Configuration Code	1	See Description	A code that indicates the functionality delivered by the combination of registers that is installed at a metered Meter Point following the Change of Supplier.
2	FLD	Load Factor	1	See Description	Not used in NI
2	FLD	DLF (Distribution Loss Factor) Code	1	Mandatory	A code used to indicate the connection voltage on which loss factors are based. It will take one of the following values: <ul style="list-style-type: none"> • NIMV – Supply taken at less than 1000 volts • NIHV - Supply taken at 6600/11000 volts • NIEHV - Supply taken at 33000 volts
2	FLD	Transformer Loss Factor	1	See Description	Not used in NI
2	SEG	Customer Name	1	Mandatory	The customer name advised by the Supplier. See Common Data Segments for a description of individual data fields.
2	SEG	Customer Contact Details	1	See Description	The set of details enabling the customer to be contacted. This is provided if and as provided by the Supplier. See Common Data Segments for a description of individual data fields.
2	SEG	Notification Address	1	See Description	The address for correspondence with customers, provided if and as provided by the Supplier. See Common Data Segments for a description of individual data fields.
2	FLD	Contact Name (Technical)	1	See Description	This is the contact name of a person available for contacting for Technical

NI - Market Message Implementation Guide – Meter Registration

Segment and Field Level Identifier – 105 Message			Rpt	Optionality	Description and Purpose	
					purposes relating to the Meter Point where this is different to the Customer Contact. This field must be provided where Technical contact name details are being added or changed for an MPRN.	
2	SEG	Technical Contact Details		1	See Description	This segment refers to the technical contact phone numbers for a technical representative.
	3	FLD	Phone number 1	1	See Description	This is the principal phone number of a Technical contact
	3	FLD	Phone Ext1	1	See Description	This is the principal phone number overflow field for storing number extensions where applicable
	3	FLD	Phone number 2	1	Optional	This field can be used for the secondary phone number where this is required.
	3	FLD	Phone Ext2	1	Optional	This is the secondary phone number overflow field for storing number extensions where applicable.
	3	FLD	Fax	1	Optional	This field is intended to store a Fax telephone number where applicable
	3	FLD	Fax Ext	1	Optional	This field is intended to store a Fax extension telephone number where applicable
	3	FLD	Email	1	Optional	This field is intended to store electronic mail address details where applicable
2	SEG	Street Type Address (Technical)		1	See Description	Street type address provides details such as Street Name, House no etc. This segment is mandatory where a street type address is being provided or changed as part of Technical Contact details.
	3	FLD	C/O Name	1	Optional	This is the name to which correspondence can be addressed where this is different to the contact name.
	3	FLD	Unit No.	1	Optional	This field can be used to populate information relating to the unit, flat or apartment number that can be part of an address
	3	FLD	Addr Line 1	1	Optional	This field can be used as overflow for address details that apply before the street part of an address.
	3	FLD	Addr Line 2	1	Optional	This field can be used as overflow for address details that apply before the street part of an address.
	3	FLD	House No.	1	Optional	This can be used to populate the number of a premises given as part of an address
	3	FLD	Street	1	Mandatory	This field stores information relating to the street part of an address.
	3	FLD	Addr Line 4	1	Optional	This field can be used as overflow for address details that apply after the street part of an address.
	3	FLD	Addr Line 5	1	Optional	This field can be used as overflow for address details that apply after the street part of an address.
	3	FLD	Post code	1	Optional	This is the postal or Zip code given as part of address where appropriate
	3	FLD	City	1	Optional	Used to populate the details of which City an address resides in where appropriate
	3	FLD	County - Ireland	1	See Description	A field denoting the county in Ireland in which an address resides.

NI - Market Message Implementation Guide – Meter Registration

Segment and Field Level Identifier – 105 Message			Rpt	Optionality	Description and Purpose
3	FLD	County / State	1	Optional	This denotes the county in which an address is situated. This is a free text 40 character field for use in non – Irish Addresses.
3	FLD	Country	1	See Description	A field that makes up part of an address denoting in which country the address resides.
2	FLD	Medical Equipment Special Needs	1	See Description	A code indicating the type of medical equipment special needs that a customer has, returned if and as advised by the Supplier.
2	SEG	Customer Service Special Needs Details	0:N	See Description	This segment refers to the customer service special needs that a customer may have.
3	FLD	Customer Service Special Needs	1	Mandatory	A code indicating the type of special requirement that a customer has, returned if and as advised by the Supplier
2	FLD	Maximum Export Capacity	1	See Description	The capacity in kVA agreed in the connection agreement and permitted to be exported at a meter point, provided only where a Generation Unit is being registered.
2	FLD	Read Frequency	1	See Description	A code provided for Non-Interval Meter Points indicating the frequency with which meter reading is scheduled. The code may take the following values: <ul style="list-style-type: none"> • M – Monthly Read • Q – Quarterly Read
2	FLD	Read Cycle	1	See Description	A code provided for Non-Interval Meter Points indicating when meter reading is scheduled: <ul style="list-style-type: none"> • For monthly read Meter Points the monthly cycle is identified. • For quarterly read Meter Points the week and day number will be identified.
2	FLD	Effective From Date	1	Mandatory	The date from which the New Supplier registration to the Meter Point is effective. The registration is effective from the start of this day.
2	FLD	Maximum Import Capacity Start Date	1	See Description	The start date from which a MIC applies, where a MIC applies
2	FLD	Current Chargeable Service Capacity	1	See Description	Where a MIC applies, the Chargeable Service Capacity that currently applies to the Meter Point
2	FLD	Supplier MPID Old	1	Optional	A code identifying the Old Supplier to support debt management process in NI.
2	FLD	Keypad Premises Number	1	See Description	The new keypad Premises Number provided for keypad metered Non-Interval Meter Points

NI - Market Message Implementation Guide – Meter Registration

2.5.8 Message 105L Change of Supplier Confirmation (Old Supplier)

Purpose and Description of Message

Message 105L is sent by NIE Networks to an Old Supplier to confirm the termination of a Meter Point registration as a result of a Change of Supplier.

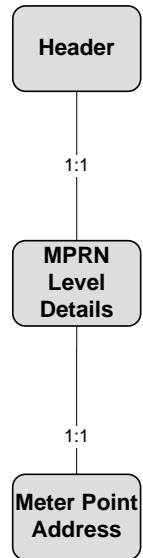
Message 105L is used in the following Market Processes:

Process Number and Title	Use of Message
MP NI 1 Change of Supplier – Non-Interval Metered	To confirm a loss of registration of a credit metered Non-Interval Meter Point
MP NI 2 Change of Supplier –Interval Metered	To confirm a loss of registration of an Interval Meter Point
MP NI 37 Change of Supplier - Keypad	To confirm a loss of registration of a keypad metered Meter Point

NI - Market Message Implementation Guide – Meter Registration

Data Hierarchy Diagram

105L Message



Message Structure and Interpretation

Segment and Field Level Identifier – 105L Message			Rpt	Optionality	Description and Purpose
1	Message Header		1	Mandatory	<i>See Common Data Segments for detailed notes on structure and population.</i>
1	MPRN Level Information		1	Mandatory	
2	FLD	MPRN	1	Mandatory	The unique identifying reference number for the Meter Point for which the registration is confirmed as completed.
2	SEG	Meter Point Address	1	Mandatory	The address at which the Meter Point is connected that is currently held by NIE Networks. See Common Data Segments for a description of individual data fields.
2	FLD	Effective From Date	1	Mandatory	The date from which the New Supplier registration to the Meter Point is effective. The registration is effective from 00h00 at the start of this day.
2	FLD	Supplier ID	1	Optional	The code identifying the Supplier to whom the Meter Point will be registered. This is provided to enable contact in the case of disputed changeover readings.

NI - Market Message Implementation Guide – Meter Registration

2.5.9 Message 110: Notification to Old Supplier of a Change of Supplier

Purpose and Description of Message

Message 110 is sent by NIE Networks to an Old Supplier to advise that a registration request has been accepted from a New Supplier.

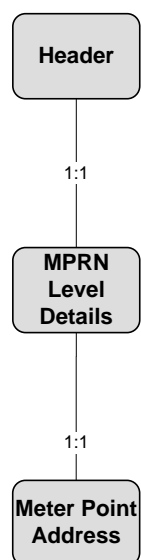
Message 110 is used in the following Market Processes:

Process Number and Title	Use of Message
MP NI 1 Change of Supplier – Non-Interval Metered	To notify a registration request for a credit metered Non-Interval Meter Point from another Supplier
MP NI 2 Change of Supplier –Interval Metered	To notify a registration request for an Interval Meter Point from another Supplier
MP NI 37 Change of Supplier - Keypad	To notify a registration request for a keypad metered Meter Point from another supplier

NI - Market Message Implementation Guide – Meter Registration

Data Hierarchy Diagram

110 Message



Message Structure and Interpretation

Segment and Field Level Identifier – 110 Message			Rpt	Optionality	Description and Purpose
1	Message Header		1	Mandatory	<i>See Common Data Segments for detailed notes on structure and population.</i>
1	MPRN Level Information		1	Mandatory	
2	FLD	MPRN	1	Mandatory	The unique identifying reference number for the Meter Point for which a registration has been accepted
2	SEG	Meter Point Address	1	Mandatory	The address at which the Meter Point is connected that is currently held by NIE Networks. See Common Data Segments for a description of individual data fields.
2	FLD	Change of Tenant / Legal Entity	1	Mandatory	A flag that will be set to: <ul style="list-style-type: none"> • 1 i.e. a logical value of True - if the New Supplier has indicated that the identity of the customer has changed • 0 i.e. a logical value of False – if the New Supplier has indicated that the identity of the customer has not changed
2	FLD	Change of Supplier Read Arrangement	1	See Description	A code that indicates the type of read to be used at a Change of Supplier for a Non-Interval metered customer. Provided for Non-Interval Meter Points

NI - Market Message Implementation Guide – Meter Registration

					only. <i>Refer to the Data Codes published by NIE Networks for a complete list of codes</i>
2	FLD	Registration Receipt Date	1	Mandatory	The date on which NIE Networks received the originating 010 Registration Request message as used in service level and registration time-out processing.
2	FLD	Date of Issue	1	Mandatory	The date on which NIE Networks issues the 110 message to the Old Supplier.
2	FLD	Required Date	1	Optional	This field will contain: <ul style="list-style-type: none"> • the appointment date where an appointment has been made; or • the required date for the Change of Supplier stated by the New Supplier, or • where a scheduled read is requested, the date of the next scheduled read.
2	FLD	Debt Transfer Flag	1	See description	A flag that will be set to 1 i.e. a logical value of True for Residential sites where the New Supplier has indicated agreement for debt transfer

NI - Market Message Implementation Guide – Meter Registration

2.5.10 Message 111: Registration Cancellation (New Supplier)

Purpose and Description of Message

Message 111 is sent by NIE Networks to the New Supplier to advise that either a completed registration or a registration request has been cancelled.

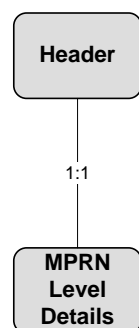
Message 111 is used in the following Market Processes:

Process Number and Title	Use of Message
MP NI 3 Objections and Cancellations	To confirm cancellation of a registration
MP NI 5 New Non-Interval Metered Connection	To confirm cancellation of a registration for a metered Non-Interval Meter Point as part of the new connection process
MP NI 6 New Interval Metered Connection	To confirm cancellation of a registration for a metered Interval Meter Point as part of the new connection process

NI - Market Message Implementation Guide – Meter Registration

Data Hierarchy Diagram

111 Message



Message Structure and Interpretation

Segment and Field Level Identifier – 111 Message			Rpt	Optionality	Description and Purpose
1	Message Header		1	Mandatory	<i>See Common Data Segments for detailed notes on structure and population.</i>
1	MPRN Level Information		1	Mandatory	
2	FLD	MPRN	1	Mandatory	The unique identifying reference number for the Meter Point for which a registration or registration request has been cancelled.
2	FLD	Market Participant Business Reference	1	See Description	<p>Where cancellation reason is ‘TO’ (see below) this will be a reference to the Market Participant Business Reference provided in the Message Header of the 010 message sent by the registering Supplier to NIE Networks.</p> <p>Where cancellation reason is ‘ME’ (see below) this is not populated.</p> <p>Otherwise this will be a reference to the Market Participant Business Reference provided in the Message Header of the 011 message sent by the cancelling Supplier to NIE Networks.</p> <p>It enables the Supplier to uniquely identify the original message to which this is the response.</p>
2	FLD	Supplier ID	1	See Description	<p>This is the identity of either:</p> <ul style="list-style-type: none"> • The re-instated Old Supplier following the cancellation of a completed Change of Supplier; or • The currently registered Supplier following the cancellation of an incomplete Change of Supplier.

NI - Market Message Implementation Guide – Meter Registration

Segment and Field Level Identifier – 111 Message			Rpt	Optionality	Description and Purpose
					It is not provided for a cancelled new connections registration.
2	FLD	Effective From Date	1	See Description	<p>This is the date from which the re-instated Supplier is re-registered following the cancellation of a completed Change of Supplier.</p> <p>Where the Change of Supplier is not complete it is the date of receipt of the message 011.</p>
2	FLD	Cancellation Reason	1	Mandatory	<p>This is the reason for the registration cancellation:</p> <ul style="list-style-type: none"> • CD denotes that NIE Networks cancelled in response to an objection from an Old Supplier for contract default • CR denotes that the New Supplier indicated that the customer requested not to proceed with the contract to supply • DE denotes that NIE Networks cancelled in response to an objection from an Old Supplier for debt • ME denotes that NIE Networks cancelled a registration that was accepted or completed as a result of a processing error by NIE Networks • NR denotes that the registration request has been cancelled because scheduled or supplier provided reads were expected and not received and an estimate was either not acceptable or possible due to read history • OS denotes that the New Supplier cancelled in response to an objection from an Old Supplier (e.g. for erroneous transfer) • SE denotes that the New Supplier indicated that they registered the Meter Point in error but cancellation is not as a result of an objection ○ TO denotes that the registration request has been cancelled by NIE Networks because it was not or cannot be completed within the permitted timeframes

NI - Market Message Implementation Guide – Meter Registration

2.5.11 Message 111L: Registration Cancellation – Cancellation of Customer Loss (Old Supplier)

Purpose and Description of Message

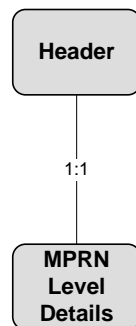
Message 111L is sent by NIE Networks to the Old Supplier to advise that either a completed registration or a registration request has been cancelled.

Message 111L is used in the following Market Processes:

Process Number and Title	Use of Message
MP NI 3 Objections and Cancellations	To confirm to an Old Supplier the cancellation of a registration to a New Supplier

Data Hierarchy Diagram

111L Message



NI - Market Message Implementation Guide – Meter Registration

Message Structure and Interpretation

Segment and Field Level Identifier – 111L Message			Rpt	Optionality	Description and Purpose
1 Message Header			1	Mandatory	<i>See Common Data Segments for detailed notes on structure and population.</i>
1 MPRN Level Information			1	Mandatory	
2	FLD	MPRN	1	Mandatory	The unique identifying reference number for the Meter Point for which a registration or registration request has been cancelled.
2	FLD	Supplier ID	1	Mandatory See Description	<p>This is the identity of either:</p> <ul style="list-style-type: none"> • The re-instated Old Supplier following the cancellation of a completed Change of Supplier; or • The currently registered Supplier following the cancellation of an incomplete Change of Supplier. <p>It is not provided for a cancelled new connections registration.</p>
2	FLD	Effective From Date	1	Optional	<p>This is the date from which the re-instated Supplier is re-registered following the cancellation of a completed Change of Supplier. It is the same as the effective from date communicated to the New Supplier on the message 105.</p> <p>Where the Change of Supplier is not complete it is the date of receipt of the message 011.</p>
2	FLD	Cancellation Reason	1	Mandatory	<p>This is the reason for the registration cancellation:</p> <ul style="list-style-type: none"> • CD denotes that NIE Networks cancelled in response to an objection from an Old Supplier for contract default • CR denotes that the New Supplier indicated that the customer requested not to proceed with the contract to supply • DE denotes that NIE Networks cancelled in response to an objection from an Old Supplier for debt • ME denotes that NIE Networks cancelled a registration that was accepted or completed as a result of a processing error by NIE Networks • NR denotes that the registration request has been cancelled because scheduled or supplier provided reads were expected and not received and an estimate was either not acceptable or possible due to read history • OS denotes that the New Supplier cancelled in response to an objection from an Old Supplier (e.g. for erroneous transfer) • SE denotes that the New Supplier indicated that they registered the Meter Point in error but cancellation is not as a result of an objection ○ TO denotes that the registration request has been cancelled by

NI - Market Message Implementation Guide – Meter Registration

Segment and Field Level Identifier – 111L Message			Rpt	Optionality	Description and Purpose
					NIE Networks because it was not or cannot be completed within the permitted timeframes

NI - Market Message Implementation Guide – Meter Registration

2.5.12 Message 111A: Registration Cancellation Notification

Purpose and Description of Message

Message 111A is sent by NIE Networks to an Old Supplier to advise that a request has been made to cancel a completed Change of Supplier and seek a response.

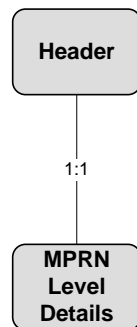
Message 111A is used in the following Market Process:

Process Number and Title	Use of Message
MP NI 3 Objections and Cancellations	To seek a response to cancel registration request

The Old Supplier should respond with their agreement or disagreement using message 011A as soon as possible.

Data Hierarchy Diagram

111A Message



NI - Market Message Implementation Guide – Meter Registration

Message Structure and Interpretation

Segment and Field Level Identifier – 111A Message			Rpt	Optionality	Description and Purpose
1	Message Header		1	Mandatory	<i>See Common Data Segments for detailed notes on structure and population.</i>
1	MPRN Level Information		1	Mandatory	
2	FLD	MPRN	1	Mandatory	The unique identifying reference number for the Meter Point where the registration is requested to be cancelled.
2	FLD	Cancellation Reason	1	Mandatory	A code to indicate why cancellation is requested: <ul style="list-style-type: none"> ○ CR denotes that the customer requests cancellation ○ ME denotes that NIE Networks requests cancellation ○ SE denotes that the Supplier requests cancellation
2	FLD	Effective From Date	1	Mandatory	This is the date from which the re-instated Supplier will be re-registered if the completed Change of Supplier is cancelled. Where the Change of Supplier is not complete it is the date of receipt of the message 011.

NI - Market Message Implementation Guide – Meter Registration

2.5.13 Message 111R: Cancellation Request Rejection

Purpose and Description of Message

Message 111R is sent by NIE Networks to a New Supplier to advise that a request to cancel a Change of Supplier or New Connection has been rejected.

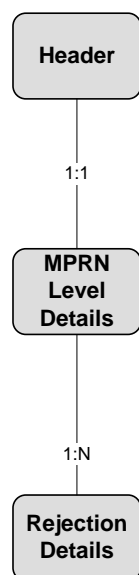
Message 111R is used in the following Market Process:

Process Number and Title	Use of Message
MP NI 3 Objections and Cancellations	To reject a cancel registration request

NI - Market Message Implementation Guide – Meter Registration

Data Hierarchy Diagram

111R Message



Message Structure and Interpretation

Segment and Field Level Identifier – 111R Message			Rpt	Optionality	Description and Purpose
1	Message Header		1	Mandatory	<i>See Common Data Segments for detailed notes on structure and population.</i>
1	MPRN Level Information		1	Mandatory	
2	FLD	MPRN	1	Mandatory	The unique identifying reference number for the Meter Point for which a Registration Cancellation Request is rejected
2	FLD	Market Participant Business Reference	1	Mandatory	A reference to the Market Participant Business Reference provided in the Message Header of the 011 message sent by the Supplier. It enables the Supplier to uniquely identify the original message to which this is the response.
2	FLD	Cancellation Reason	1	Mandatory	The Cancellation Reason provided by the Supplier
2	SEG	Rejection Details	1..N	Mandatory	An instance of this segment is provided for each rejection reason provided.

NI - Market Message Implementation Guide – Meter Registration

Segment and Field Level Identifier – 111R Message			Rpt	Optionality	Description and Purpose
3	FLD	Reject Reason	1	Mandatory	<p>A code to identify why data was rejected</p> <ul style="list-style-type: none"> • CAN – The Old Supplier has not agreed to the cancellation request • CCC –Fieldwork completed, registration cannot be cancelled • IMP – The MPRN does not exist • IMS – A cancellation request is received for New Registration and the MPRN status is Energised or is received for a Terminated Meter Point • IRC – The Cancellation Reason Code is invalid • SNR – The Supplier submitting the cancellation request is not registered to this MPRN or does not have a pending registration • TIM – The cancellation request has been received more than 100 days after effective date of Change of Supplier

NI - Market Message Implementation Guide – Meter Registration

2.5.14 Message 112: Notification of Objection

Purpose and Description of Message

Message 112 is sent by NIE Networks to a New Supplier to advise that an Old Supplier has objected to a Change of Supplier for reason of Erroneous Transfer or has issued a Debt Contact Notification.

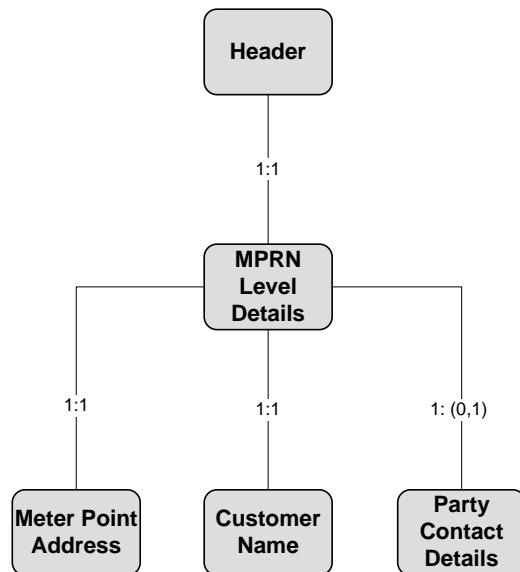
Message 112 is used in the following Market Process:

Process Number and Title	Use of Message
MP NI 3 Objections and Cancellations	To notify an objection or debt contact to an New Supplier

The actions that the New Supplier should take will depend on the reason for the objection.

Data Hierarchy Diagram

112 Message



NI - Market Message Implementation Guide – Meter Registration

Message Structure and Interpretation

Segment and Field Level Identifier – 112 Message			Rpt	Optionality	Description and Purpose
1 Message Header			1	Mandatory	<i>See Common Data Segments for detailed notes on structure and population.</i>
1 MPRN Level Information			1	Mandatory	
2	FLD	MPRN	1	Mandatory	The unique identifying reference number for the Meter Point for which an objection is being made.
2	SEG	Meter Point Address	1	Mandatory	The address at which the Meter Point is connected. See Common Data Segments for a description of individual data fields.
2	SEG	Customer Name	1	Mandatory	The customer with whom the objecting Supplier claims to have a continuing agreement to supply electricity at the Meter Point and Meter Point Address. See Common Data Segments for a description of individual data fields.
2	FLD	Request Status	1	Mandatory	A code that indicates that a request is being made or withdrawn. It should be set to: <ul style="list-style-type: none"> • I – denoting initiation of the objection.
2	FLD	Objection Reason	1	Mandatory	A code to indicate the old supplier's reason for the objection. This will be set to ET – Erroneous Transfer or DCN – Debt Contact Notification
2	FLD	Objection Date	1	Mandatory	The date an objection was registered with NIE Networks.
2	FLD	Supplier ID	1	Mandatory	The currently or previously registered Supplier hereby objecting to the Change of Supplier.
2	SEG	Party Contact Details	1	See Description	Details enabling the Supplier to be contacted in the event of a query with the objection. See Common Data Segments for a description of individual data fields.

NI - Market Message Implementation Guide – Meter Registration

2.5.15 Message 112R: Notification of Objection - Rejection

Purpose and Description of Message

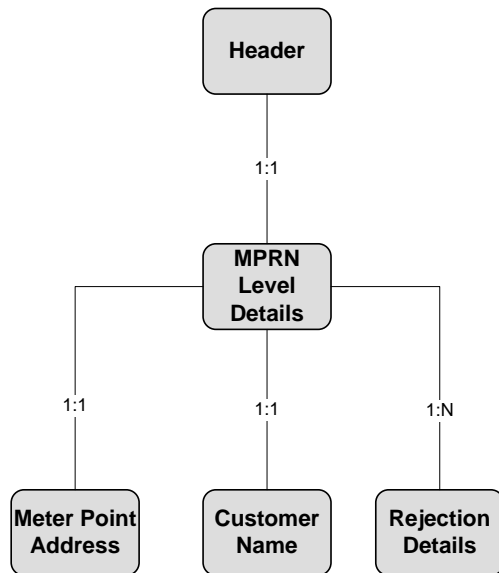
Message 112R is sent by NIE Networks to an Old Supplier to advise that the notification of an objection has been rejected by NIE Networks and not forwarded to a New Supplier.

Message 112R is used in the following Market Process:

Process Number and Title	Use of Message
MP NI 3 Objections and Cancellations	To reject an objection or debt contact notice

Data Hierarchy Diagram

112R Message



NI - Market Message Implementation Guide – Meter Registration

Message Structure and Interpretation

Segment and Field Level Identifier – 112R Message			Rpt	Optionality	Description and Purpose
1 Message Header			1	Mandatory	<i>See Common Data Segments for detailed notes on structure and population.</i>
1 MPRN Level Information			1	Mandatory	
2	FLD	MPRN	1	Mandatory	The unique identifying reference number for the Meter Point for which an Objection is rejected
2	FLD	Market Participant Business Reference	1	Mandatory	A reference to the Market Participant Business Reference provided in the Message Header of the 012 message sent by the Supplier. It enables the Supplier to uniquely identify the original message to which this is the response.
2	SEG	Meter Point Address	1	Mandatory	The Meter Point Address provided by the Supplier
2	SEG	Customer Name	1	Mandatory	The Customer Name provided by the Supplier. See Common Data Segments for a description of individual data fields.
2	FLD	Request Status	1	Mandatory	The Request Status provided by the Supplier
2	FLD	Objection Reason	1	Mandatory	The Objection Reason provided by the Supplier.
2	FLD	Objection Date	1	Mandatory	The Objection Date provided by the Supplier
2	SEG	Rejection Details	1..N	Mandatory	An instance of this segment is provided for each rejection reason provided.
3	FLD	Reject Reason	1	Mandatory	<p>A code to identify why data was rejected</p> <ul style="list-style-type: none"> • AMM – The Meter Point Address on the message does not match that held by NIE Networks for the MPRN • CNM – Change of Tenancy/Legal Entity on 010 (CoS) • IMP – The MPRN does not exist • IMS – The MPRN status is not Energised or De-energised. • IRC – The Objection Reason Code is invalid • SNR – The Supplier submitting the objection is not registered to this MPRN and is not the Old Supplier for this MPRN • TIM – An objection has been received outside the agreed timescale for acceptance.

NI - Market Message Implementation Guide – Meter Registration

2.5.16 Message 112W: Withdrawal of Objection

Purpose and Description of Message

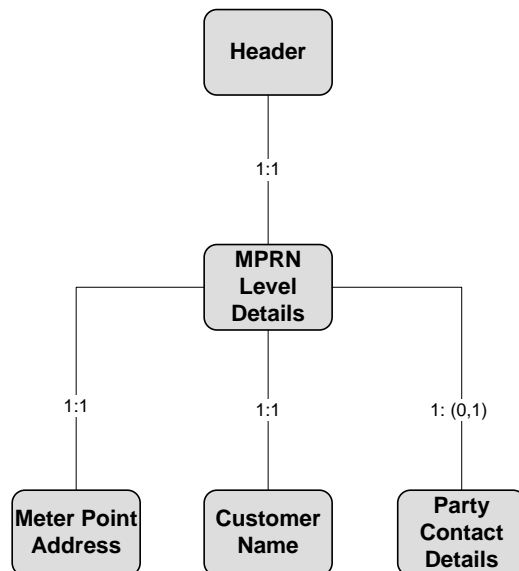
Message 112W is sent by NIE Networks to a New Supplier to advise that an objection has been withdrawn or has expired.

Message 112W is used in the following Market Process:

Process Number and Title	Use of Message
MP NI 3 Objections and Cancellations	To notify an objection withdrawal to a New Supplier

Data Hierarchy Diagram

112W Message



NI - Market Message Implementation Guide – Meter Registration

Message Structure and Interpretation

Segment and Field Level Identifier – 112W Message			Rpt	Optionality	Description and Purpose
1 Message Header			1	Mandatory	<i>See Common Data Segments for detailed notes on structure and population.</i>
1 MPRN Level Information			1	Mandatory	
2	FLD	MPRN	1	Mandatory	The unique identifying reference number for the Meter Point for which an objection is being withdrawn.
2	SEG	Meter Point Address	1	Mandatory	The address at which the Meter Point is connected. See Common Data Segments for a description of individual data fields.
2	SEG	Customer Name	1	Mandatory	The customer with whom the Old Supplier has or had a contract. See Common Data Segments for a description of individual data fields.
2	FLD	Request Status	1	Mandatory	A code that indicates that a request is being made or withdrawn. It should be set to: <ul style="list-style-type: none"> • E – denoting expiry of the objection, or • W – denoting withdrawal of the objection
2	FLD	Objection Reason	1	Mandatory	A code to indicate the old Supplier’s reason for the objection. This will be set to ET – Erroneous Transfer on this message.
2	FLD	Objection Date	1	Mandatory	The date an objection was registered with NIE Networks.
2	FLD	Supplier ID	1	Mandatory	The Supplier that is withdrawing the objection.
2	SEG	Party Contact Details	1	See Description	Details enabling the Supplier to be contacted in the event of a query with the withdrawal. See Common Data Segments for a description of individual data fields.

NI - Market Message Implementation Guide – Meter Registration

2.5.17 Message 122: De-Registration Confirmation

Purpose and Description of Message

Message 122 is sent by NIE Networks to a Supplier to advise that a Meter Point has been de-registered as a result of a removal of supply.

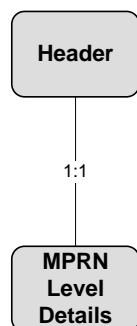
Message 122 is used in the following Market Processes:

Process Number and Title	Use of Message
MG NI 19 Terminate Connection	To advise termination of a connected Meter Point

NI - Market Message Implementation Guide – Meter Registration

Data Hierarchy Diagram

122 Message



Message Structure and Interpretation

Segment and Field Level Identifier – 122 Message			Rpt	Optionality	Description and Purpose
1	Message Header		1	Mandatory	<i>See Common Data Segments for detailed notes on structure and population.</i>
1	MPRN Level Information		1	Mandatory	
2	FLD	MPRN	1	Mandatory	The unique identifying reference number for the Meter Point that has been de-registered.
2	FLD	Market Participant Business Reference	1	See Description (Optional)	Will be blank in NI as all 122 messages will be initiated by NIE Networks
2	FLD	De-Registration Reason	1	Mandatory	A code to indicate the reason for the de-registration which will be: <ul style="list-style-type: none"> REM – Removal of Supply
2	FLD	Effective From Date	1	Mandatory	This is the date from which the Supplier is de-registered.

NI - Market Message Implementation Guide – Meter Registration

2.5.18 Message 122R: De-registration Rejection

Message 122R is not currently used by NIE Networks. It will be rejected if sent to NIE Networks by a Supplier.

NI - Market Message Implementation Guide – Meter Registration

2.5.19 Message 310: Validated Change of Supplier Reading

Purpose and Description of Message

Message 310 is sent by NIE Networks to an Old Supplier when a Change of Supplier has been completed for a Non-Interval Metered Meter Point in order to advise the meter details and the opening readings.

Message 310 is used in the following Market Processes:

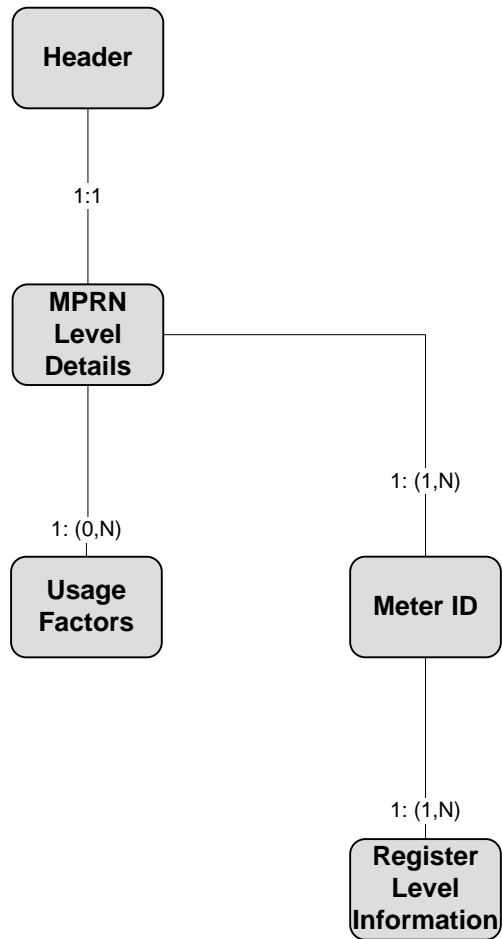
Process Number and Title	Use of Message
MP NI 1 Change of Supplier – Non-Interval Metered	To advise closing readings when registration of a credit metered non-interval Meter Point is lost
MP NI 3 Objections and Cancellations	To advise an old Supplier of closing readings when a registration cancellation has occurred
MP NI 4 Supplier of Last Resort	To advise closing readings when registration of a non-interval metered Meter Point is lost
MP NI 37 Change of Supplier - Keypad	To advise closing readings when registration of a keypad metered Meter Point is lost

Message 310 may be re-sent, with revised meter readings, if the original readings are successfully disputed.

NI - Market Message Implementation Guide – Meter Registration

Data Hierarchy Diagram

310 Message



NI - Market Message Implementation Guide – Meter Registration

Message Structure and Interpretation

Segment and Field Level Identifier – 310 Message			Rpt	Optionality	Description and Purpose
1 Message Header			1	Mandatory	<i>See Common Data Segments for detailed notes on structure and population.</i>
1 MPRN Level Information			1	Mandatory	
2	FLD	MPRN	1	Mandatory	The unique identifying reference number for the Meter Point for which the Change of Supplier readings are sent.
2	FLD	Networks Reference Number	1	Mandatory	A reference allocated by NIE Networks to the readings
2	FLD	Load Profile	1	Mandatory	A code denoting the standard load profile that determines, when coupled with Timeslot, the derived profile that is applied to consumption usage for settlement purposes. Refer to the Data Codes published by NIE Networks for a complete list of codes.
2	FLD	DUoS Group	1	Mandatory	This field will contain a code which denotes the DUoS Tariff applied by NIE Networks to the Meter Point. Refer to the Data Codes published by NIE Networks for a complete list of codes.
2	FLD	Meter Point Status	1	Mandatory	The connection status of the Meter Point. This will be: <ul style="list-style-type: none"> • D - Meter Point was De-Energised • E - Meter Point was Energised
2	FLD	Read Date	1	Mandatory	The date of the closing readings provided in the message. The time of the readings is assumed to be the end of the day.
2	SEG	Usage Factors	0..N	Optional	For each Timeslot, only the Actual Usage Factor is populated with the appropriate Effective From Date.
3	FLD	Timeslot	1	Mandatory	A code that indicates the period for which usage will be settled Refer to the Data Codes published by NIE Networks for a complete list of codes.
3	FLD	Effective From Date	1	Mandatory	The inclusive date from which the usage factor will be aggregated.
3	FLD	Actual Usage Factor	1	Mandatory	This will contain the total AAC for consumption calculated for the period between the previous read date and the read date for registers with the indicated timeslot.
2	SEG	Meter ID	1..N	Mandatory	
3	FLD	Meter Category	1	Optional	Not Used.
3	FLD	Serial Number	1	Mandatory	The physical or badge number found on the meter.
3	SEG	Register Level Information	1..N	Mandatory	This is the segment that stores information relating to the registers displayed on a meter.

NI - Market Message Implementation Guide – Meter Registration

Segment and Field Level Identifier – 310 Message			Rpt	Optionality	Description and Purpose
4	FLD	Meter Register Sequence	1	Mandatory	Meter Register Sequence is an identifier to distinguish between different meter registers on a physical meter or set of meters.
4	FLD	Timeslot	1	Mandatory	Timeslot is a code that indicates the period that a meter is recording (or an un-metered installation is consuming electricity). Refer to the Data Codes published by NIE Networks for a complete list of codes.
4	FLD	Unit of Measurement	1	Mandatory	Unit of measurement is a code that indicates the value that is measured e.g. KWh. Refer to the Data Codes published by NIE Networks for a complete list of codes.
4	FLD	Meter Multiplier	1	Mandatory	Meter Multiplier is a factor to be applied to an advance or reading at a register in order to derive a true value.
4	FLD	Reading Value	1	Mandatory	Reading Value is the value of a reading measured in the units identified by the meter register prior to application of any multipliers.
4	FLD	Read Reason	1	Mandatory	A code that indicates the reason that a reading was collected. This should be set to: <ul style="list-style-type: none"> • 26 - Change of Supplier
4	FLD	Read Type	1	Mandatory	A code that indicates whether the reading is: <ul style="list-style-type: none"> • A - Actual • E – Estimated – No Access • EF – Estimate – Implausible / No Read Available • CU - Customer Reading • RC – Replacement Reading • SC - Supplier Provided Customer Reading
4	FLD	Previous Read Date	1	Mandatory	The date from which consumption is calculated. This will be the previous actual read date or, where there has been a subsequent billing estimate, the date of the billing estimate. This is provided for kWh registers only.
4	FLD	Consumption	1	Optional	This data item is only provided for on consumption meters. Consumption is the metered or estimated consumption for the period from a previous read date to this read date, measured in kWh.
4	FLD	Read Status	1	Mandatory	A code that indicates: <ul style="list-style-type: none"> • RV - Reading Valid • RREL - Reading - Manually released • REST - Reading estimated
4	FLD	Register Type	1	Mandatory	Register Type is a code to indicate the purpose of the register. Refer to the Data Codes published by NIE Networks for a complete list of codes.

NI - Market Message Implementation Guide – Meter Registration

2.5.20 Message 310W: Withdrawn Change of Supplier Reading

Purpose and Description of Message

Message 310W is sent by NIE Networks to an Old Supplier when closing readings for a Change of Supplier are withdrawn.

Message 310W is used in the following Market Process:

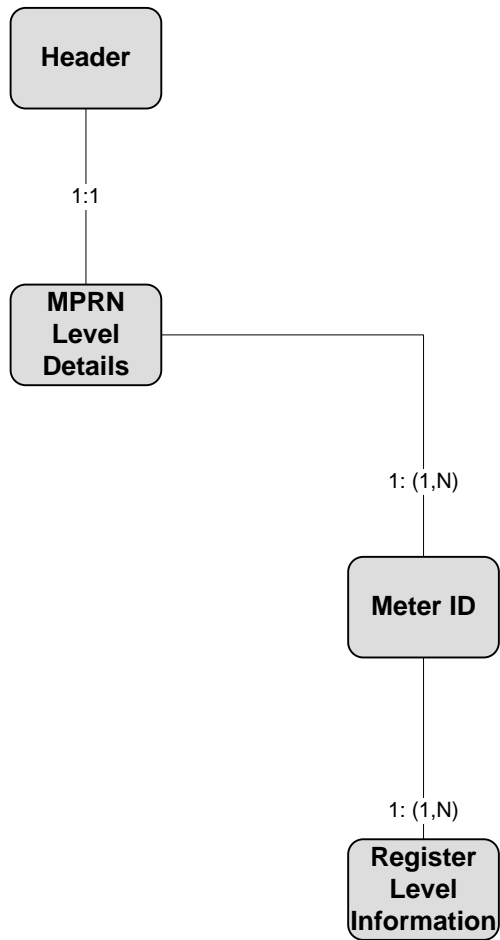
Process Number and Title	Use of Message
MP NI 14 Readings Processing – Non Interval	To advise the withdrawal of closing readings associated with loss of registration of a metered non-interval Meter Point

A new version of message 310 may be sent, with revised meter readings, if the original readings are replaced.

NI - Market Message Implementation Guide – Meter Registration

Data Hierarchy Diagram

310W Message



NI - Market Message Implementation Guide – Meter Registration

Message Structure and Interpretation

Segment and Field Level Identifier – 310W Message			Rpt	Optionality	Description and Purpose
1 Message Header			1	Mandatory	<i>See Common Data Segments for detailed notes on structure and population.</i>
1 MPRN Level Information			1	Mandatory	
2	FLD	MPRN	1	Mandatory	The unique identifying reference number for the Meter Point for which the Change of Supplier readings are sent.
2	FLD	Networks Reference Number	1	Mandatory	A reference allocated by NIE Networks to the readings
2	FLD	Load Profile	1	Mandatory	A code denoting the standard load profile that determines, when coupled with Timeslot, the derived profile that is applied to consumption usage for settlement purposes. Refer to the Data Codes published by NIE Networks for a complete list of codes.
2	FLD	DUoS Group	1	Mandatory	This field will contain a code which denotes the DUoS Tariff applied by NIE Networks to the Meter Point. Refer to the Data Codes published by NIE Networks for a complete list of codes.
2	FLD	Meter Point Status	1	Mandatory	The connection status of the Meter Point. This will be: <ul style="list-style-type: none"> • D - Meter Point was De-Energised • E - Meter Point was Energised
2	FLD	Withdrawal Reason	1	Mandatory	A code to indicate the reason that the reading was withdrawn. This will be set to one of the following values on a 310W: <ul style="list-style-type: none"> • A1- Erroneous Change of Supplier • A2 - Disputed CoS Meter Reading - a Change of Supplier reading or any other reading is disputed and is withdrawn as a result of the dispute • A3 - Change of Supplier Cancellation - the reading was billed or attributed to the wrong Supplier because of a Change of Supplier cancellation • A4 - Change of Supplier - the reading was billed or attributed to the wrong Supplier other than as a result of a Change of Supplier cancellation. These readings can be readings other than those used for the Change of Supplier itself. • B1 - Incorrect MPRN - the reading was applied to the wrong MPRN • C1 - Incorrect Estimation - an estimate is incorrect and is withdrawn as a result of a process other than a dispute from a

NI - Market Message Implementation Guide – Meter Registration

Segment and Field Level Identifier – 310W Message			Rpt	Optionality	Description and Purpose
					<p>Supplier</p> <ul style="list-style-type: none"> • C2 - Incorrect Meter Reading - a reading is incorrect and is withdrawn as a result of a process other than a dispute from a Supplier • D1 - Incorrect Rate - a reading has been billed using an incorrect UoS Tariff • D2 - Incorrect Billing Period - a reading has been billed to an incorrect period • D3 - Incorrect Meter - the reading was applied to the wrong meter or meter register
2	FLD	Read Date	1	Mandatory	The date of the closing readings provided in the message. The time of the readings is assumed to be the end of the day.
2	SEG	Meter ID	1..N	Mandatory	
3	FLD	Meter Category	1	Optional	Not Used.
3	FLD	Serial Number	1	Mandatory	The physical or badge number found on the meter.
3	SEG	Register Level Information	1..N	Mandatory	This is the segment that stores information relating to the registers displayed on a meter.
4	FLD	Meter Register Sequence	1	Mandatory	Meter Register Sequence is an identifier to distinguish between different meter registers on a physical meter or set of meters.
4	FLD	Timeslot	1	Mandatory	<p>Timeslot is a code that indicates the period that a meter is recording (or an un-metered installation is consuming electricity).</p> <p>Refer to the Data Codes published by NIE Networks for a complete list of codes.</p>
4	FLD	Unit of Measurement	1	Mandatory	<p>Unit of measurement is a code that indicates the value that is measured e.g. KWh.</p> <p>Refer to the Data Codes published by NIE Networks for a complete list of codes.</p>
4	FLD	Meter Multiplier	1	Mandatory	Meter Multiplier is a factor to be applied to an advance or reading at a register in order to derive a true value.
4	FLD	Reading Value	1	Mandatory	Reading Value is the value of a reading measured in the units identified by the meter register prior to application of any multipliers.
4	FLD	Read Reason	1	Mandatory	<p>A code that indicates the reason that a reading was collected. This should be set to:</p> <ul style="list-style-type: none"> • 26 - Change of Supplier
4	FLD	Read Type	1	Mandatory	<p>A code that indicates whether the reading is:</p> <ul style="list-style-type: none"> • A - Actual • E – Estimated – No Access

NI - Market Message Implementation Guide – Meter Registration

Segment and Field Level Identifier – 310W Message			Rpt	Optionality	Description and Purpose
					<ul style="list-style-type: none"> • EF – Estimate – Implausible / No Read Available • EP - Estimate (Block Planned) • EU – Estimate (Block Unplanned) • CU - Customer Reading • RC – Replacement Reading • SC - Supplier Provided Customer Reading
4	FLD	Previous Read Date	1	Mandatory	The date from which consumption is calculated. This will be the previous actual read date or, where there has been a subsequent billing estimate, the date of the billing estimate. This is provided for kWh registers only.
4	FLD	Consumption	1	Optional	This data item is only provided for on consumption meters. Consumption is the metered or estimated consumption for the period from a previous read date to this read date, measured in kWh.
4	FLD	Read Status	1	Mandatory	A code that indicates: <ul style="list-style-type: none"> • RWI – Reading Withdrawn
4	FLD	Register Type	1	Mandatory	Register Type is a code to indicate the purpose of the register. Refer to the Data Codes published by NIE Networks for a complete list of codes.

NI - Market Message Implementation Guide – Meter Registration

2.5.21 Message 320: Validated Change of Supplier Reading

Purpose and Description of Message

Message 320 is sent by NIE Networks to a New Supplier when a Change of Supplier has been completed for a Non-Interval Metered Meter Point in order to advise the meter details and the opening readings.

Message 320 is used in the following Market Processes:

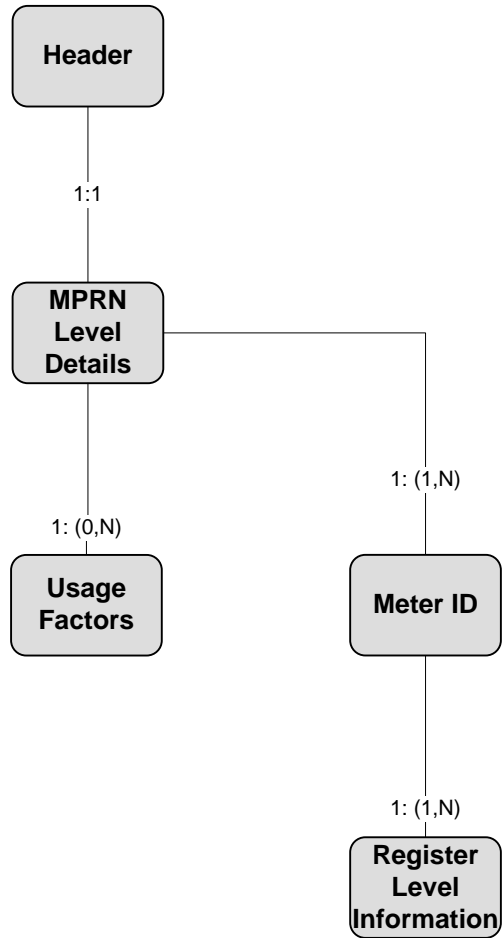
Process Number and Title	Use of Message
MP NI 1 Change of Supplier – Non-Interval Metered	To advise opening readings when registration of a credit metered non-interval Meter Point is confirmed
MP NI 4 Supplier of Last Resort	To advise opening readings when registration of a non-interval metered Meter Point is confirmed
MP NI 37 Change of Supplier - Keypad	To advise opening readings when registration of a keypad metered Meter Point is confirmed

Message 320 may be re-sent, with revised meter readings, if the original readings are successfully disputed.

NI - Market Message Implementation Guide – Meter Registration

Data Hierarchy Diagram

320 Message



NI - Market Message Implementation Guide – Meter Registration

Message Structure and Interpretation

Segment and Field Level Identifier – 320 Message			Rpt	Optionality	Description and Purpose
1 Message Header			1	Mandatory	<i>See Common Data Segments for detailed notes on structure and population.</i>
1 MPRN Level Information			1	Mandatory	
2	FLD	MPRN	1	Mandatory	The unique identifying reference number for the Meter Point for which the Change of Supplier readings are sent.
2	FLD	Market Participant Business Reference	1	Optional	A reference to the Market Participant Business Reference provided in the Message Header sent by the Supplier to NIE Networks. It enables the Supplier to uniquely identify the original message to which this is the response.
2	FLD	Networks Reference Number	1	Mandatory	A unique reference allocated by NIE Networks to the readings
2	FLD	Load Profile	1	Mandatory	A code denoting the standard load profile that determines, when coupled with Timeslot, the derived profile that is applied to consumption usage for settlement purposes. Refer to the Data Codes published by NIE Networks for a complete list of codes.
2	FLD	DUoS Group	1	Mandatory	This field will contain a code which denotes the DUoS Tariff applied by NIE Networks to the Meter Point. Refer to the Data Codes published by NIE Networks for a complete list of codes.
2	FLD	Meter Point Status	1	Mandatory	Meter Point Status is a code to identify the connection status of a meter point. This will be set to <ul style="list-style-type: none"> • E - Energised
2	FLD	Read Date	1	Mandatory	The ‘effective’ date of the opening readings provided in the message. The time of the readings is assumed to be the start of the day. This is the same as the Effective From Date of the New Supplier registration even if the physical read date was the day prior to registration.
2	FLD	Meter Configuration Code	1	Mandatory	A code that indicates the functionality delivered by the combination of registers that is installed at a Meter Point.
2	FLD	Keypad PremisesNumber	1	Optional	The new keypad Premises Number provided for keypad metered Non-Interval Meter Points.
2	SEG	Usage Factors	1..N	Mandatory	For each Timeslot, only the Estimated Usage Factor is populated with the appropriate Effective From Date.
3	FLD	Timeslot	1	Mandatory	Timeslot is a code that indicates the period for which usage will be settled.

NI - Market Message Implementation Guide – Meter Registration

Segment and Field Level Identifier – 320 Message			Rpt	Optionality	Description and Purpose
					Refer to the Data Codes published by NIE Networks for a complete list of codes.
3	FLD	Effective From Date	1	Mandatory	The inclusive date from which the usage factor will be aggregated. This will be the effective from date of the Supplier registration.
3	FLD	Estimated Usage Factor	1	Optional	This will contain the EAC for consumption registers: A statement in kWh of the estimated consumption for the Timeslot for the 365 days starting from the Effective From Date.
2	SEG	Meter ID	1..N	Mandatory	
3	FLD	Meter Category	1	Optional	Not Used.
3	FLD	Serial Number	1	Mandatory	The physical or badge number found on the removed meter.
3	FLD	Meter Location	1	Optional	Not Used.
3	SEG	Register Level Information	1..N	Mandatory	
4	FLD	Meter Register Sequence	1	Mandatory	Meter Register Sequence is an identifier to distinguish between different meter registers on a physical meter.
4	FLD	Timeslot	1	Mandatory	A code that indicates the period that a meter is recording (or an un-metered installation is consuming electricity). Refer to the Data Codes published by NIE Networks for a complete list of codes.
4	FLD	Unit of Measurement	1	Mandatory	Unit of measurement is a code that indicates the value that is measured.
4	FLD	Meter Multiplier	1	Mandatory	Meter Multiplier is a factor to be applied to an advance or reading at a register in order to derive a true value.
4	FLD	Reading Value	1	Mandatory	Reading Value is the value of a reading in the form passed to NIE Networks measured in the units identified by the meter register prior to application of any multipliers. May contain an estimate if read type so indicates.
4	FLD	Read Reason	1	Mandatory	A code that indicates the reason that a reading was collected. This should be set to: <ul style="list-style-type: none"> • 26 - Change of Supplier
4	FLD	Read Type	1	Mandatory	A code that indicates whether the reading is: <ul style="list-style-type: none"> • A - Actual • E – Estimated – No Access • EF – Estimate – Implausible / No Read Available • EP - Estimate (Block Planned) • EU – Estimate (Block Unplanned) • CU - Customer Reading • RC – Replacement Reading • SC - Supplier Provided Customer Reading

NI - Market Message Implementation Guide – Meter Registration

Segment and Field Level Identifier – 320 Message			Rpt	Optionality	Description and Purpose
4	FLD	Register Type	1	Mandatory	Register Type is a code to indicate the purpose of the register. Refer to the Data Codes published by NIE Networks for a complete list of codes.
4	FLD	Pre-Decimal Digits	1	Mandatory	The number of digits before the decimal place on the meter register.
4	FLD	Post-Decimal Digits	1	Mandatory	The number of digits after the decimal place on the meter register.
4	FLD	Estimate of Consumption	1	Optional	A statement in kWh of the estimated consumption for the register for the 365 days starting from the Usage Factor Effective From Date. EAC is provided for consumption registers only.

NI - Market Message Implementation Guide – Meter Registration

2.5.22 Message 320W: Withdrawn Change of Supplier Reading

Purpose and Description of Message

Message 320W is sent by NIE Networks to a New Supplier when opening readings for a Change of Supplier are withdrawn.

Message 320W is used in the following Market Process:

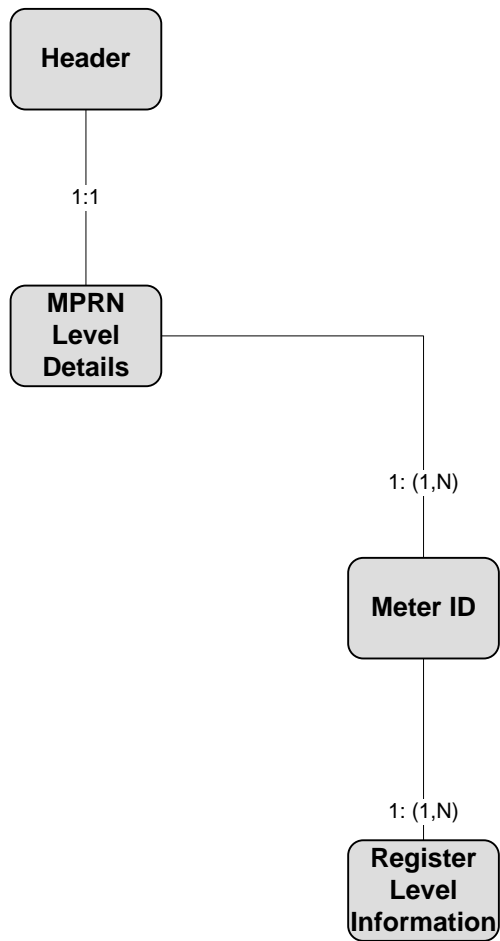
Process Number and Title	Use of Message
MP NI 14 Readings Processing – Non Interval	To advise the withdrawal of opening readings associated with registration of a metered non-interval Meter Point

A new version of message 320 may be sent, with revised meter readings, if the original readings are replaced.

NI - Market Message Implementation Guide – Meter Registration

Data Hierarchy Diagram

320W Message



NI - Market Message Implementation Guide – Meter Registration

Message Structure and Interpretation

Segment and Field Level Identifier – 320W Message			Rpt	Optionality	Description and Purpose
1 Message Header			1	Mandatory	<i>See Common Data Segments for detailed notes on structure and population.</i>
1 MPRN Level Information			1	Mandatory	
2	FLD	MPRN	1	Mandatory	The unique identifying reference number for the Meter Point for which the Change of Supplier readings are sent.
2	FLD	Market Participant Business Reference	1	Optional	A reference to the Market Participant Business Reference provided in the Message Header sent by the Supplier to NIE Networks. It enables the Supplier to uniquely identify the original message to which this is the response.
2	FLD	Networks Reference Number	1	Mandatory	A unique reference allocated by NIE Networks to the readings
2	FLD	Load Profile	1	Mandatory	A code denoting the standard load profile that determines, when coupled with Timeslot, the derived profile that is applied to consumption usage for settlement purposes. Refer to the Data Codes published by NIE Networks for a complete list of codes.
2	FLD	DUoS Group	1	Mandatory	This field will contain a code which denotes the DUoS Tariff applied by NIE Networks to the Meter Point. Refer to the Data Codes published by NIE Networks for a complete list of codes.
2	FLD	Meter Point Status	1	Mandatory	Meter Point Status is a code to identify the connection status of a meter point. This will be set to <ul style="list-style-type: none"> • E - Energised
2	FLD	Read Date	1	Mandatory	The ‘effective’ date of the opening readings provided in the message. The time of the readings is assumed to be the start of the day. This is the same as the Effective From Date of the New Supplier registration even if the physical read date was the day prior to registration.
2	FLD	Withdrawal Reason	1	Mandatory	A code to indicate the reason that the reading was withdrawn. This will be set to one of the following values on a 320W: <ul style="list-style-type: none"> • A1- Erroneous Change of Supplier • A2 - Disputed CoS Meter Reading - a Change of Supplier reading or any other reading is disputed and is withdrawn as a result of the dispute • A3 - Change of Supplier Cancellation - the reading was billed or attributed to the wrong Supplier because of a Change of Supplier cancellation

NI - Market Message Implementation Guide – Meter Registration

Segment and Field Level Identifier – 320W Message			Rpt	Optionality	Description and Purpose
					<ul style="list-style-type: none"> • A4 - Change of Supplier - the reading was billed or attributed to the wrong Supplier other than as a result of a Change of Supplier cancellation. These readings can be readings other than those used for the Change of Supplier itself. • B1 - Incorrect MPRN - the reading was applied to the wrong MPRN • C1 - Incorrect Estimation - an estimate is incorrect and is withdrawn as a result of a process other than a dispute from a Supplier • C2 - Incorrect Meter Reading - a reading is incorrect and is withdrawn as a result of a process other than a dispute from a Supplier • D1 - Incorrect Rate - a reading has been billed using an incorrect UoS Tariff • D2 - Incorrect Billing Period - a reading has been billed to an incorrect period • D3 - Incorrect Meter - the reading was applied to the wrong meter or meter register
2	FLD	Meter Configuration Code	1	Mandatory	A code that indicates the functionality delivered by the combination of registers that is installed at a Meter Point.
2	FLD	Keypad PremisesNumber	1	Optional	The new keypad Premises Number provided for keypad metered Non-Interval Meter Points.
2	SEG	Meter ID	1..N	Mandatory	
3	FLD	Meter Category	1	Optional	Not Used.
3	FLD	Serial Number	1	Mandatory	The physical or badge number found on the removed meter.
3	FLD	Meter Location	1	Optional	Not Used.
3	SEG	Register Level Information	1..N	Mandatory	
4	FLD	Meter Register Sequence	1	Mandatory	Meter Register Sequence is an identifier to distinguish between different meter registers on a physical meter.
4	FLD	Timeslot	1	Mandatory	A code that indicates the period that a meter is recording (or an un-metered installation is consuming electricity). Refer to the Data Codes published by NIE Networks for a complete list of codes.
4	FLD	Unit of Measurement	1	Mandatory	Unit of measurement is a code that indicates the value that is measured.
4	FLD	Meter Multiplier	1	Mandatory	Meter Multiplier is a factor to be applied to an advance or reading at a register in order to derive a true value.

NI - Market Message Implementation Guide – Meter Registration

Segment and Field Level Identifier – 320W Message			Rpt	Optionality	Description and Purpose
4	FLD	Reading Value	1	Mandatory	Reading Value is the value of a reading in the form passed to NIE Networks measured in the units identified by the meter register prior to application of any multipliers. May contain an estimate if read type so indicates.
4	FLD	Read Reason	1	Mandatory	A code that indicates the reason that a reading was collected. This should be set to: <ul style="list-style-type: none"> • 26 - Change of Supplier
4	FLD	Read Type	1	Mandatory	A code that indicates whether the reading is: <ul style="list-style-type: none"> • A - Actual • E – Estimated – No Access • EF – Estimate – Implausible / No Read Available • EP - Estimate (Block Planned) • EU – Estimate (Block Unplanned) • CU - Customer Reading • RC – Replacement Reading • SC - Supplier Provided Customer Reading
4	FLD	Register Type	1	Mandatory	Register Type is a code to indicate the purpose of the register. Refer to the Data Codes published by NIE Networks for a complete list of codes.
4	FLD	Post-Decimal Digits	1	Mandatory	The number of digits after the decimal place on the meter register.
4	FLD	Pre-Decimal Digits	1	Mandatory	The number of digits before the decimal place on the meter register.

NI - Market Message Implementation Guide – Meter Registration

3 APPENDIX 1

3.1 Appendix 1A – Message 310 and 320 Combinations

The tables below outline the valid combinations of Read Reason, Read Type and Read Status that can be found on messages 310 and 320.

Scenarios	Read Reason	Read Type	Read Status	Comments/Queries
CoS Customer Loss	26 - Change of Supplier	A - Actual	RV or RREL	
		SC - Supplier Provided Customer reading	RV or RREL	
		CU - Customer reading	RV or RREL	
		EF - Estimate (Implausible / No Read Available)	REST	
		E - Estimate (No Access) RC – Replacement Read	REST RV or RREL or REST	